

METROPLAST



**Hydraulic Buffer
Installation' Manual**

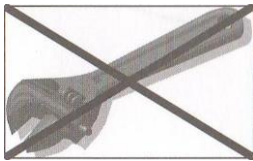
CONTENTS

1. SIGN ANALYSIS
2. SECURITY EQUIPMENT SELECTION CRITERIA
3. PRODUCT INTRODUCTION
4. GENERAL RULES
5. CONNECTION OF SECURITY EQUIPMENT
6. MAINTENANCE DETAILS
7. GENERAL CONDITIONS TO BE PAID ATTENTION
8. SHIPMENT AND STORAGE

1. --- SIGN ANALYSIS:



It means that ATTENTION should be paid and carries high risks, so the instructions must be completely performed.



It means that NO ADJUSTMENT is made.

2. SECURITY EQUIPMENT SELECTION CRITERIA

During the selection of security guard period, the properties specified below should be known and stated while ordering.

Hydraulic buffer consuming energy is only used in elevators and the usage should be in accordance with TS EN 81 – 1.

In usages of bottom of cabinet:

Total of operating load of the security equipment (P + Q),

Weight of cabinet (P).....kg,

While determining the P load, empty cabinet, load bearing skeleton, parts hanging to the cabinet, ropes, balancing ropes, chains, part of the flexible cable which is carried by the cabinet and other weights must be taken into consideration.

Carrying capacity (Q).....kg,

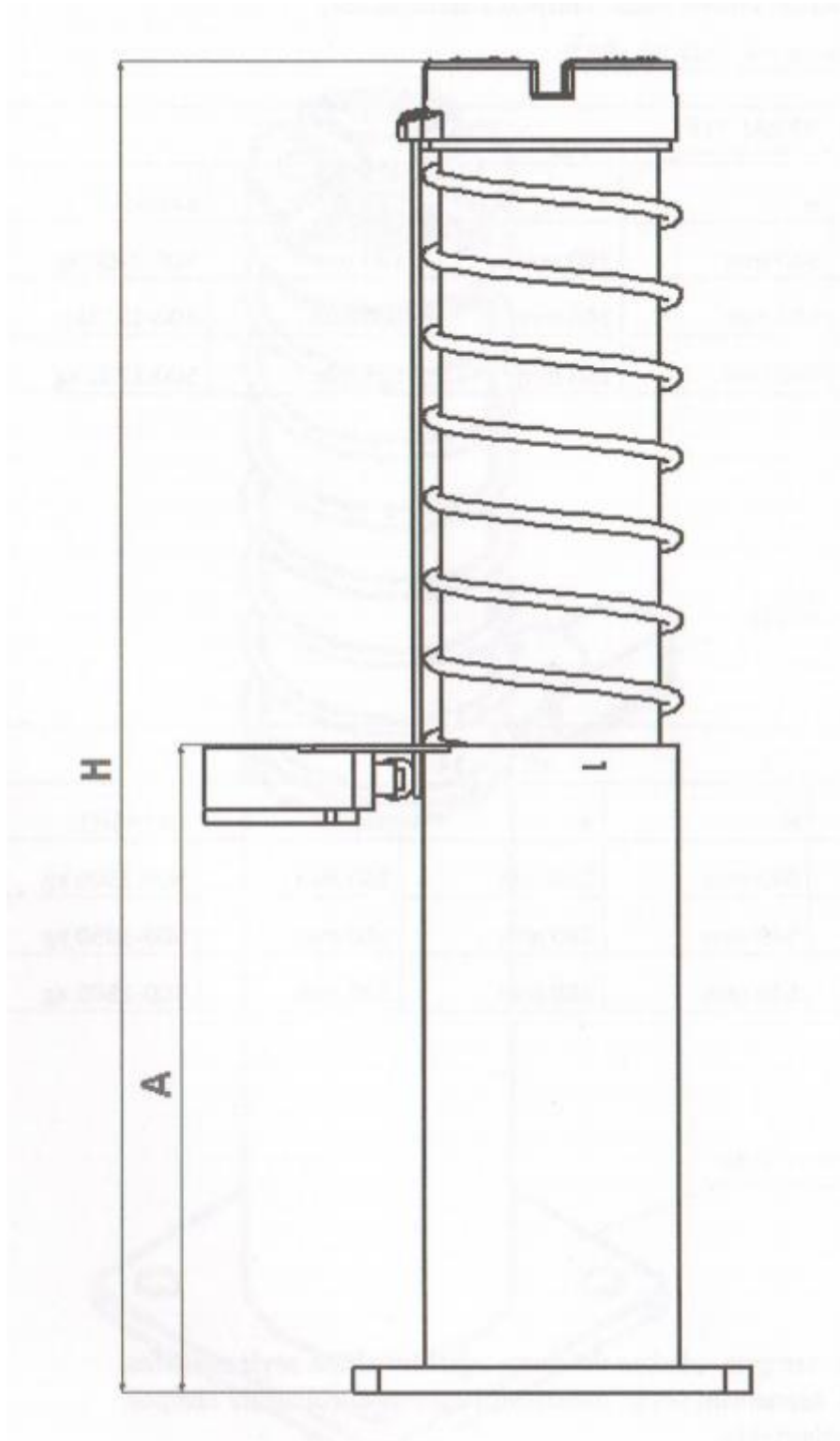
It is the carrying load of the elevator that is declared.

Operating speed of the cabinet (V).....m/s,

It is the normal operating speed of the elevator that is declared.

In the usages of counter weight:

$$G=P + Q/2$$



Product selection criteria:

1- According to the declared speed of the elevator,

2- According to the amount of the weight to be carried:

The amount of such weight should be in the capacity to meet “P+Q” in the cabinet.

It should be taken for the greatest G value for counter weight.

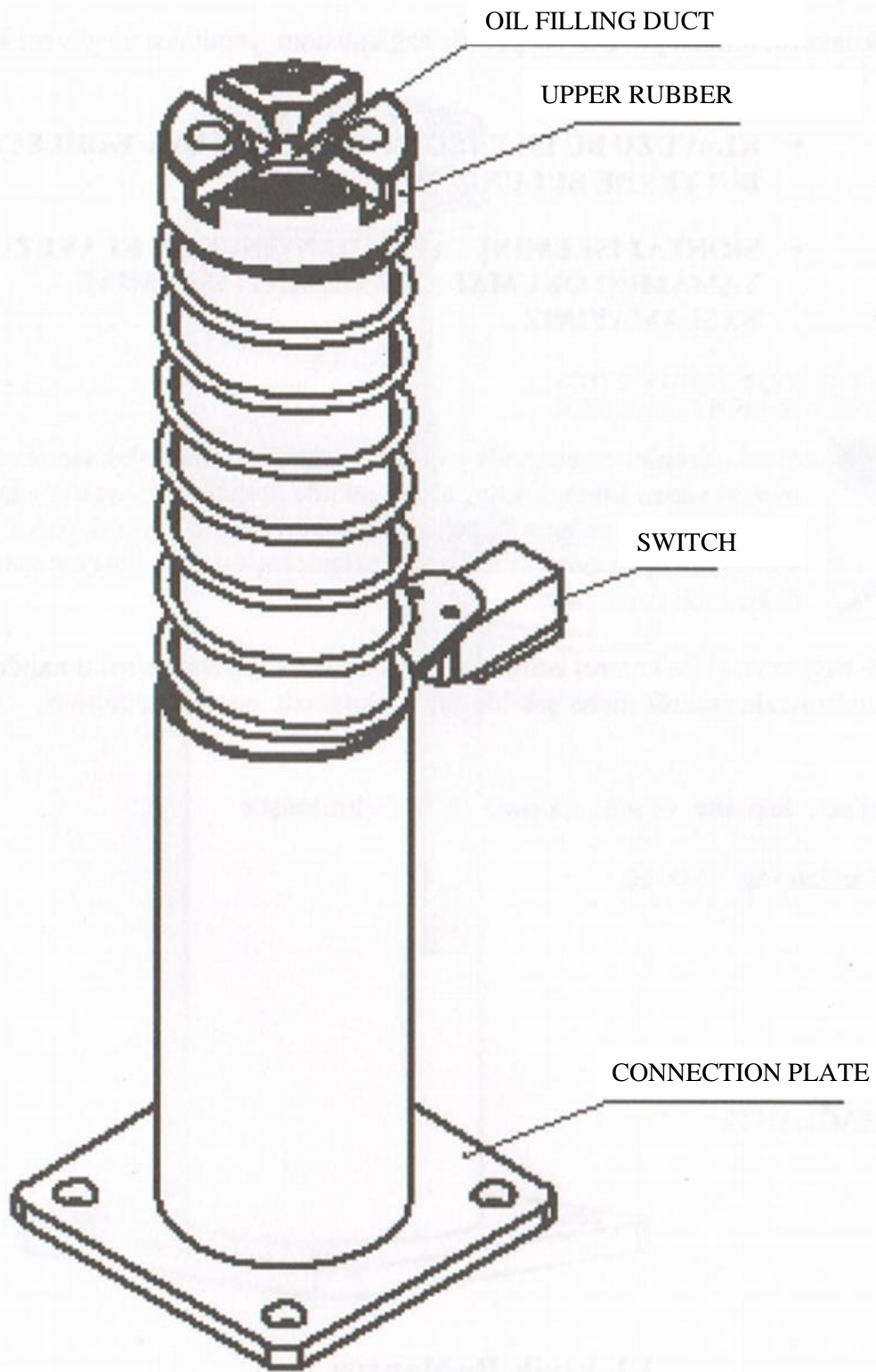
In the event of more weight, more than one buffer can be used.

HT10-102					
V	V1	H	A	STROKE	CAPACITY
1 m/s	1.15 m/s	540 mm	260 mm	180 mm	500-2400 kg
1.2 m/s	1.38 m/s	540 mm	260 mm	180 mm	500-1975 kg
1.6 m/s	1.84 m/s	540 mm	260 mm	180 mm	500-1750 kg

HT10-114					
V	V1	H	A	STROKE	CAPACITY
1 m/s	1.15 m/s	540 mm	260 mm	180 mm	500-3500 kg
1.2 m/s	1.38 m/s	540 mm	260 mm	180 mm	500-3050 kg
1.6 m/s	1.84 m/s	540 mm	260 mm	180 mm	500-2800 kg

3- PRODUCT INTRODUCTION

- Hydraulic buffer consuming energy is connected under the cabinet and counter weight at the end of the cruising range and in the event that the elevator exceeds the cruising range, it crashes onto the buffer and it is enabled to be stopped.
- Operation of the product: Hydraulic oil inside the cylinder is pressed by the help of load coming onto the piston and it passes through the holes which are in different diameters and distances and causes the oil to fill inside the piston and such process enables the energy carried by the load to be gradually stopped and the process is completed by action that the hydraulic oil inside the cylinder fills in the piston.
- It activates through the movement of the piston with the help of the switch on the product and by this means it opens the safety circuit by the help of its electrical control.
- After the load on the hydraulic buffer is removed, the product switches to its initial position by the help of the spring on the piston. The switch on the cylinder automatically closes the safety circuit following the piston gets its place back.

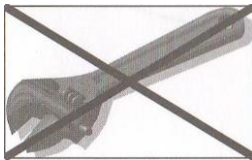


3.—GENERAL RULES:

This installation manual has been prepared for realization of connection of the product in a safe way, and for maintenance of security equipment.



- **KEEP THE MANUAL IN A PLACE WHERE EVERYBODY INTERESTED IN THIS JOB CAN EASILY READ IT.**
- **PRIOR TO INSTALLATION OPERATION, DO NOT START CONNECTION PROCESSES BEFORE READING THE WHOLE OF THIS MANUAL.**



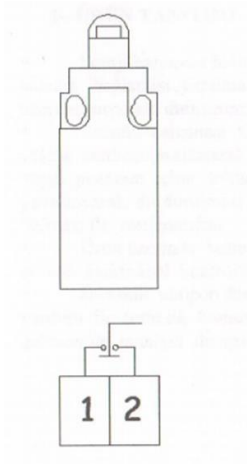
*Responsibility in terms of the faults to occur during the product installation is completely on the company that will perform the mounting operations. Under no circumstances must any addition or change be made on the product without consent of the manufacturer. Spare parts cannot be purchased out of manufacturing company, and additions and non-original part replacements cannot be performed.

* Its connection must routinely be controlled through eyes and the operation of the mechanism must be checked. Under no way must the elevator be operated during routine controls manually made, and necessary safety precautions must be taken.

Serial number, capacity and maximum operating speed are inscribed on the product.

Oil used in the product is in accordance with ISO 68.

ELECTRICAL CONNECTION:

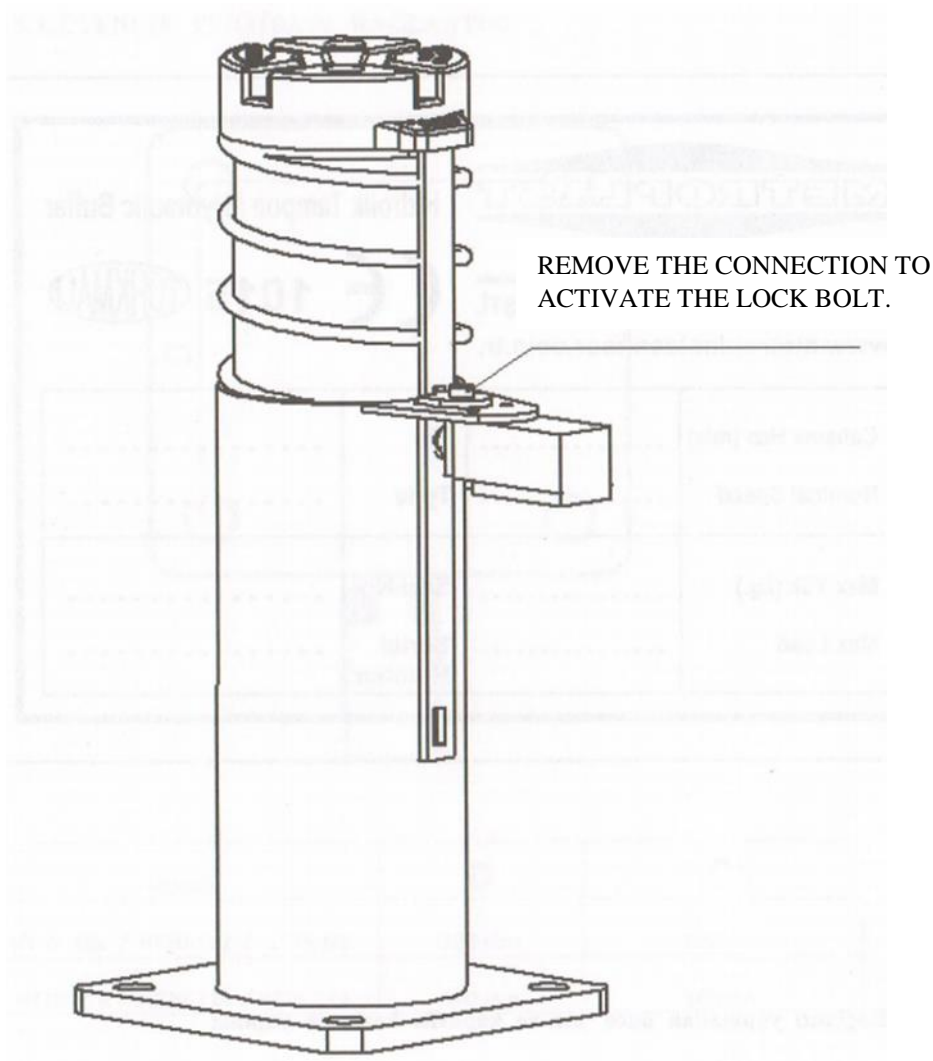


Electrical Connection:

Maximum voltage: 230 V

Maximum ampere: 3.A


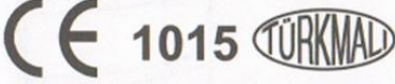
Cable section: 0.75 mm²NYA



STARTING THE PRODUCT

- a) The cover on the upper rubber of hydraulic buffer is opened.
- b) One liter of ISO 68 oil given with the buffer is slowly poured through the hole in the center of the buffer.
- c) Since product locking is exposed to spring pressure, please take the necessary precautions by holding it with arm force when locking component is removed during the removing process.
- d) Locking bolt on the product is removed and the product is made ready to be used by being recovered from lock part.

LABEL SAMPLE:

 <i>asansörde tam güvenlik</i> Asansör Malzemeleri İmalat LTD.ŞTİ. www.metroplastasansor.com.tr		Hidrolik Tampon / Hydraulic Buffer	
			
Çalışma Hızı (m/s)	Tip
Nominal Speed	Type
Max Yük (kg.)	Seri No
Max Load	Serial Number

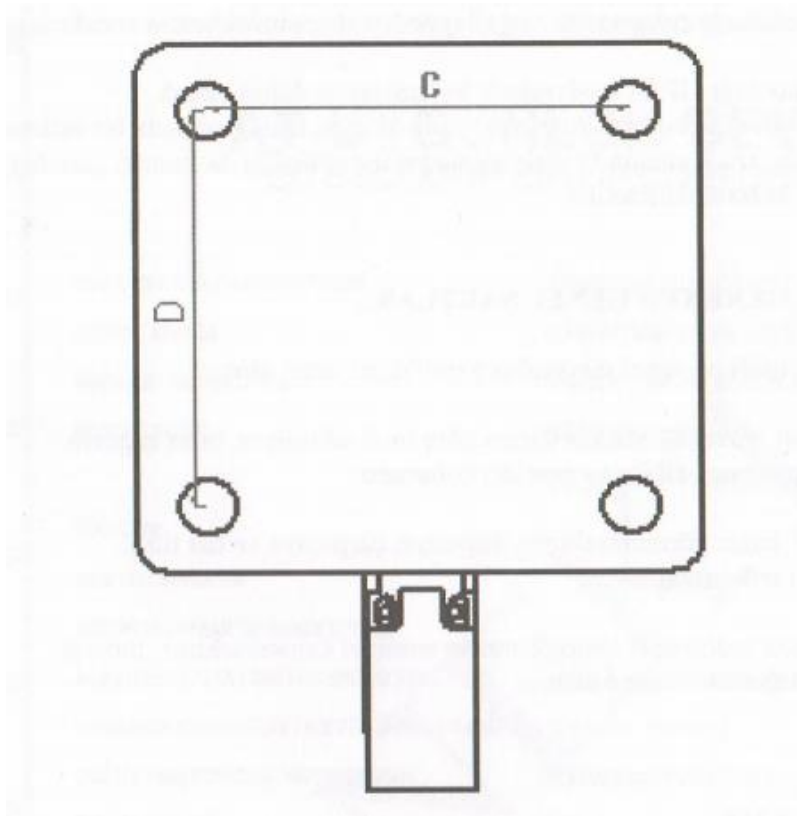


Please perform speed and capacity check before carrying out connection.



Such connections must definitely be checked again in monthly controls.

5. CONNECTION OF SECURITY EQUIPMENT



MODEL	D	C
HT10-102 / HT20-102 / HT25-102	120 mm	120 mm
HT10-114 / HT20-114 / HT25-114	140 mm	140 mm



In the connections during which the hydraulic buffer is to be connected under the cabinet or counter weight, the connection must definitely be made in the center of gravity of the components.

6. – MAINTENANCE DETAILS

Monthly controls must be made every month.

Connection bolts of hydraulic buffer must be checked.

The product must be cleared from the negations that can prevent it from operation in the distance of stroke.

The contact of security equipment: An isolation in the level of IP4X must constantly be ensured. It should be checked whether such contacts, which are without locks, are enabled and there exists no opening in their isolation or not. Whether such contact fulfils its function or not must be controlled in every monthly maintenance starting from the first installation moment.

7. - GENERAL CONDITIONS TO BE PAID ATTENTION

- Make sure that Installation operation is performed by trained personnel.
- This security equipment has been manufactured in accordance with the safety standards. Nevertheless, please use protective clothes and material during the installation process.
- Please take precautions against falling, crashing and any kind of deformation lest the hydraulic buffer is damaged
- Please take the necessary safety precautions and wear barrette and safety belt during the installation processes. Make sure that the installation place is safe.

8. SHIPMENT AND STORAGE

The product is delivered in the cardboard boxes.

Weight of the packet is approximately 11 kg.

Please protect the product against humidity and dust.

- The figures and measurements in this manual are binding.
- Under no circumstances can this manual be reproduced without permission.
- Under no circumstances is our company responsible for printer's errors.



Strojirenský zkušební ústav, s.p.
Notified body, identification No. 1015

CERTIFICATE

EC TYPE EXAMINATION
Module B

No.: I-61-15111/12/ZZ

issued by the part A of the Annex V of the Directive of the European Parliament and Council 95/16/EC

Manufacturer:

METROPLAST ASANSÖR MALZEMELERİ LTD. ŞTİ.

Hürriyet Mh. Ulus Cad. Erler Sk. No:5 Kartal - Istanbul - Turkey

Product:

Safety components - Hydraulic Buffer
Energy-dissipating shock absorbers

Type:
HT-10

Versions:
HT-10-102, HT-10-114

Product specification:
See Annex No. I-61-15111/12/ZZ

The above introduced notified body by this Certificate **certifies conformity** of the subject sample of safety component properties with requirements of the

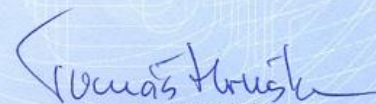
Directive of the European Parliament and Council 95/16/EC
by Annex V, part A (module B)

Base for this Certificate issuing is carried out conformity assessment by the module B, evaluated in the part I. of the Inspection findings, Inspection report No. 66-6811 dated August 27, 2012. Integral part of this Certificate is the Annex No. I-61-15111/12/ZZ/1 dated August 27, 2012.
Rules for treatment with the Certificate are introduced in conclusion of the Inspection report.

Validity of the Certificate EC type examination is limited on period of 5 years.

In Brno, on August 27, 2012




Ing. Tomáš Hruška
Director

The Certificate consists of 1 page
+ 2 pages of the Annex.

Strojirenský zkušební ústav, s. p., Hudcova 56b, 621 00 Brno, Česká republika
Engineering Test Institute, public enterprise, Hudcova 56b, 621 00 Brno, Czech Republic

www.szutest.cz