

TOTAL SAFETY FOR LIFTS

Safety equipment for lifts



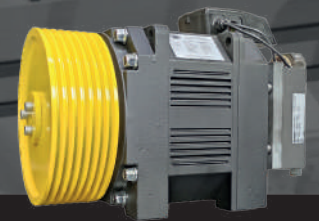
OVERSPEED
GOVERNORS



LIFT SAFETY
GEARS



HYDRAULIC
BUFFER



LIFT
MOTOR

METROPLAST

total safety in lifts

METROPLAST

total safety in lifts

IDOSB Deri Organize Yan Sanayi Bölgesi
YC-10 Parsel No:3
PK: 34953 Tuzla / Istanbul

Phone: + 90 216 671 11 01 – 02 – 03
Fax: + 90 216 671 11 00

info@metroplastasansor.com.tr
www.metroplastasansor.com.tr



TABLE OF CONTENTS

About us	3-4
Lift Motor and Panel	5-6
Pro 2000	7-8
Pro 2000S	9-10
Pro 5000	11-12
Pro 2000 Rev	13
Hydraulic Safety Gears	14-16
Moment 250	17
Moment 250 A3	18
Moment 250 MRL	19
Moment 250 Ray Tipi	20
Lift Buffers	21-23
Rope Attachments	24
Shoes	25-31
Lift Spare Parts	32-34
Retiring Cam and Dictator	35
Depolift	36-37
Contact	Back Cover

About Us

Metroplast Lift



METROPLAST LIFT

Metroplast Lift, which started production in Pendik, Istanbul in 1994, is the market leader in its field on lift safety components and spare parts with its modern production facility of 12,000 sqm with its wide range of products, high quality and customer-oriented approach.

Our company, which believes in the innovative industrial understanding and invests in innovation, provides high quality service to its customers by developing its product range every day with its research and development department.

Quality is the indispensable and most important value of our brand since the establishment of our company, which continues its activities with its modern machinery park.

As Metroplast Lift; we export our products with high quality standards to more than 25 countries, which have many national and international quality certificates such as ISO 9001:2008, CE, GOST, TSEK and TSE.

Keeping the technical service quality and customer satisfaction at the highest level, Metroplast Lift will continue to be the rising value with the power it receives from the trust of its customers and stakeholders.

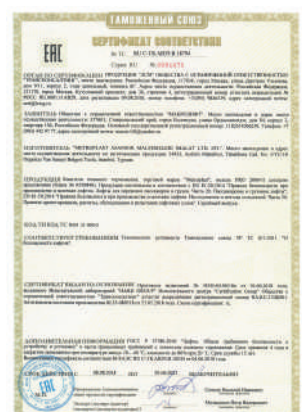
OUR VISION

To keep being the leader of our sector with our R&D discipline, to always be with our customers with our after-sales technical support service, to continue to be a reference in the sector with the principle of quality at every stage of our products, and to produce sustainable solutions related to quality assembly in the lift, based on our motto of "Total Safety in Lifts".

OUR MISSION

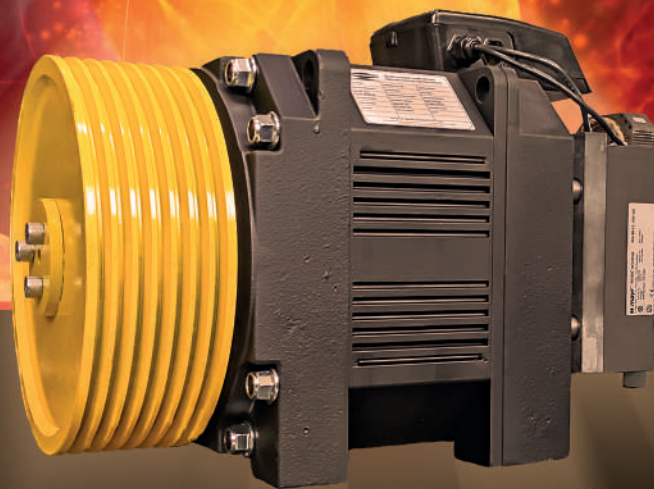
To continue to be a "brand of the firsts" and to present it to the world market as a company that makes a difference in its products with its experience in the sector, trained human resources, prioritizes the satisfaction of our customers and employees with our innovative and creative solutions in every work we do, and adopts a sustainable quality approach.

CERTIFICATES



REAL POWER

METROPLAST LIFT MOTOR



METROPLAST

total safety in lifts



Lift Control Panels

DOUBLE SPEED HYDRAULIC

A3 THREADED AND BLANK + HYDRAULIC

EN 81-20 WITH OR WITHOUT THREADS + HYDRAULIC

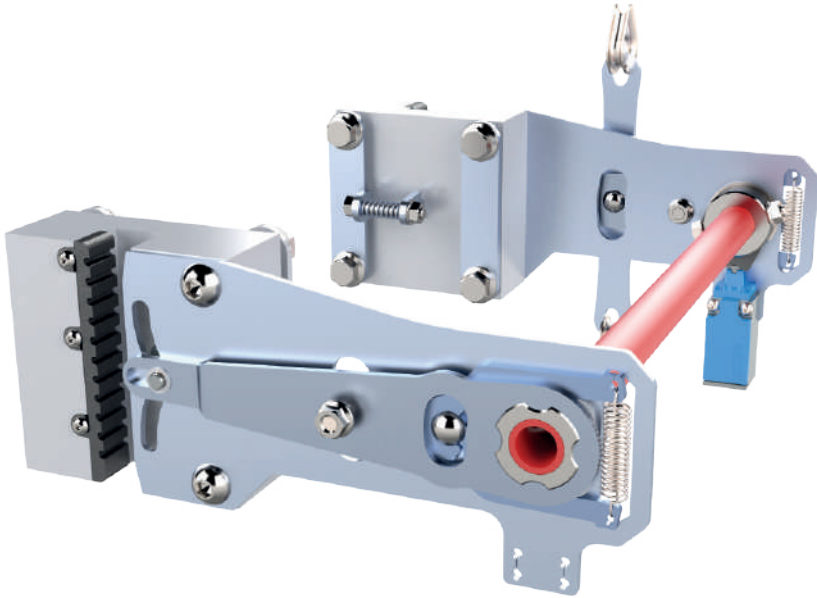
CONTROL PANELS ARE PRODUCED WITH QUALITY SWITCH MATERIALS

WE ARE AT YOUR SERVICE 24/7 WITH PROFESSIONAL TECHNICAL SERVICE DEPARTMENT

TECHNICAL SERVICE IS PROVIDED ON SITE AS REQUIRED.

PRO 2000 Unidirectional and Bidirectional Safety Gear without Stand

Product code: 100-101



Pro 2000 group progressive safety gears are processed as mono blocks from steel material.

- There is a centering system on the safety gear and there is no need to make an adjustment,
- The lever mechanism of the safety gear operates from the side, so that no extra work is required on the suspension,
- There is a safety switch and trigger mechanism on the safety gear and it does not require any extra operation,
- Complies with TSE EN 81-20, EAC standards.



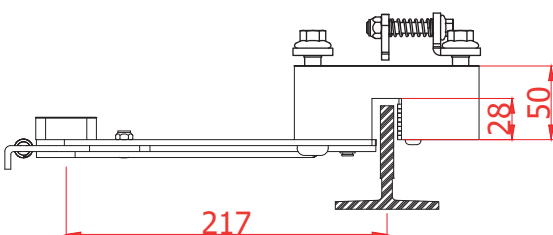
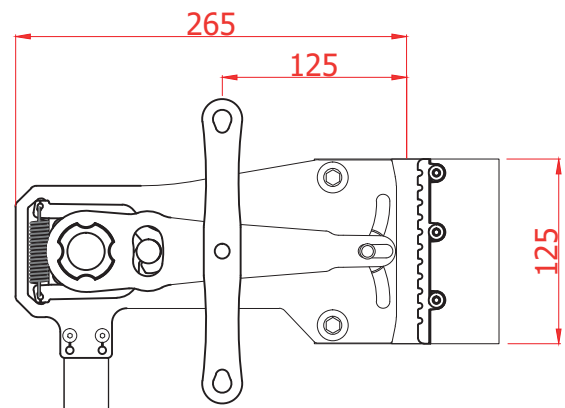
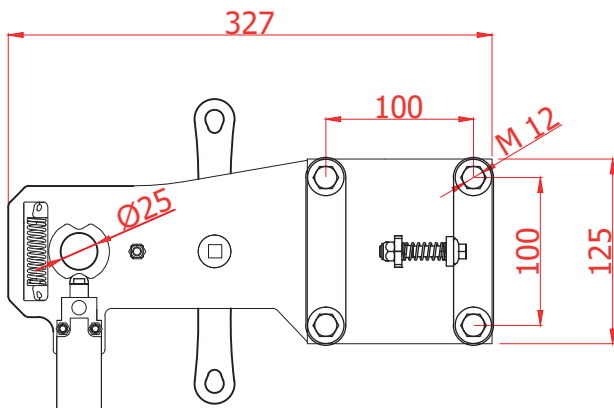
Speed	P+Q min...max
0,63 m/s	567 KG...2400 KG

Speed	P+Q min...max
0,80 m/s	567 KG...2400 KG

Speed	P+Q min...max
1 m/s	567 KG...2400 KG

Speed	P+Q min...max
1.2 m/s	567 KG...2200 KG

Speed	P+Q min...max
1.6 m/s	567 KG...2000 KG



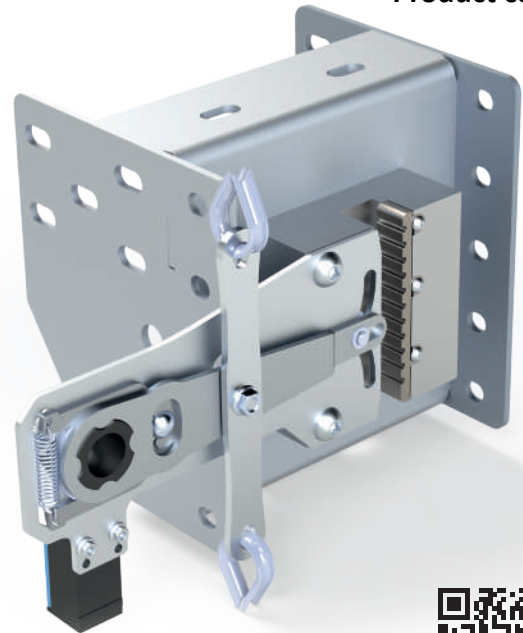
Number of Parcels	Weight (kg)	Length (mm)	Width (mm)	Height (mm)
1	15	210	195	352

PRO 2000 Unidirectional and Bidirectional Safety Gear with Stand

Product code: 102

The Pro 2000 group safety gears are produced from the steel body in the CNC Machining center.

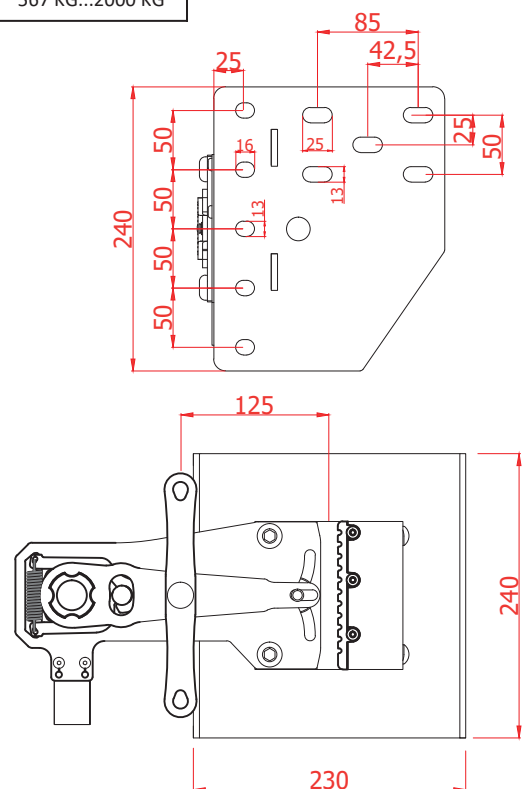
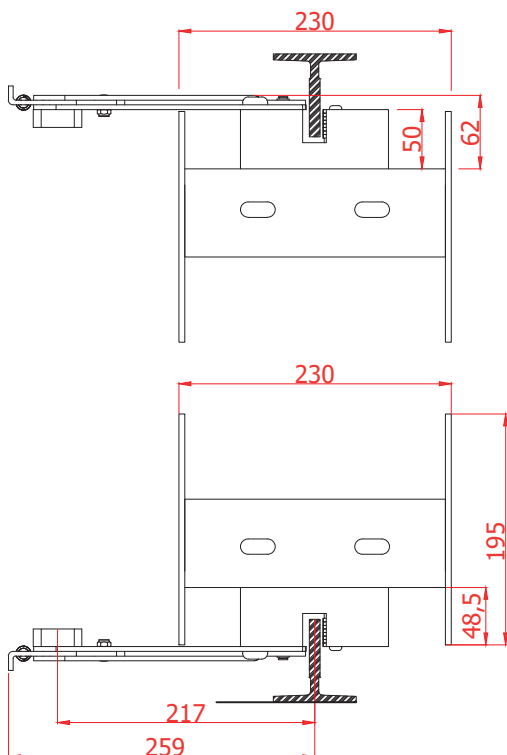
- There is a centering system on the safety gear and there is no need to make an adjustment,
- The lever mechanism of the safety gear operates from the side, so there is no need for extra work on the suspension.
- There is a safety switch and trigger mechanism on the safety gear and it does not require any extra operation,
- Complies with TSE EN 81-20, EAC standards.



Number of Parcels	Weight (kg)	Length (mm)	Width (mm)	Height (mm)
1	28	400	390	265

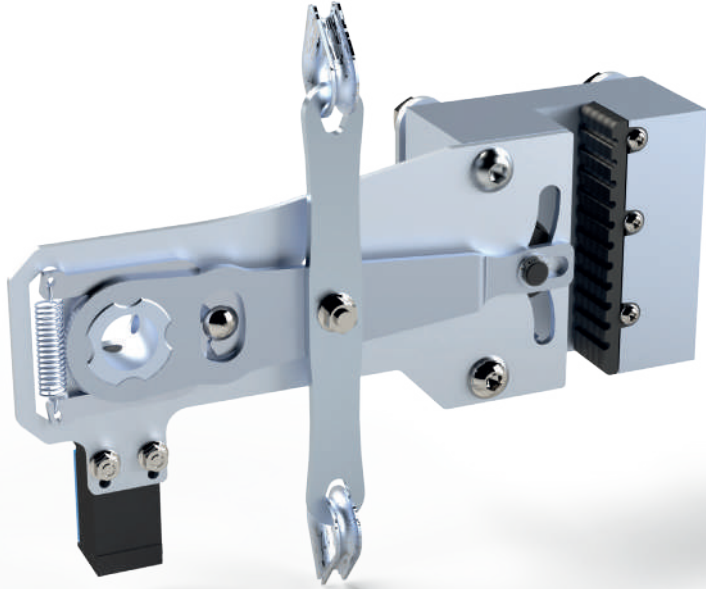
Speed	P+Q min...max	Speed	P+Q min...max
0,63 m/s	567 KG...2400 KG	0,80 m/s	567 KG...2400 KG

Speed	P+Q min...max	Speed	P+Q min...max	Speed	P+Q min...max
1 m/s	567 KG...2400 KG	1.2 m/s	567 KG...2200 KG	1.6 m/s	567 KG...2000 KG



PRO 2000S Unidirectional and Bidirectional Safety Gear without Stand

Product code: 104



Pro 2000 S group progressive safety gears are processed as mono blocks from elastic material.

- There is a centering system on the safety gear and there is no need to make an adjustment,
- The lever mechanism of the safety gear operates from the side, so that no extra work is required on the suspension,
- There is a safety switch and trigger mechanism on the safety gear and it does not require any extra operation,
- Complies with TSE EN 81-20, EAC standards.

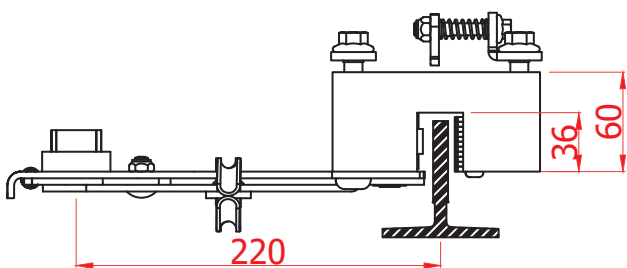
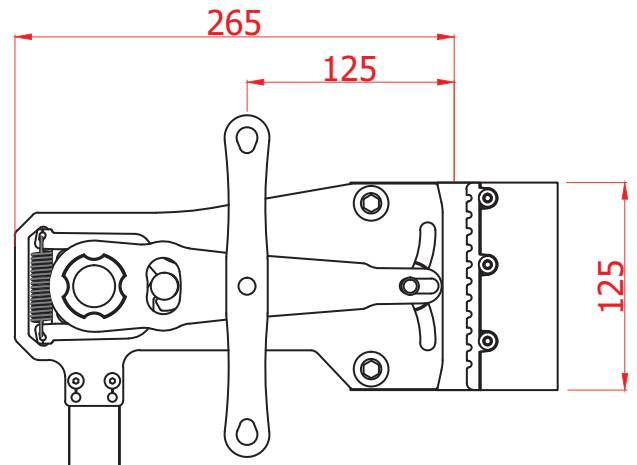
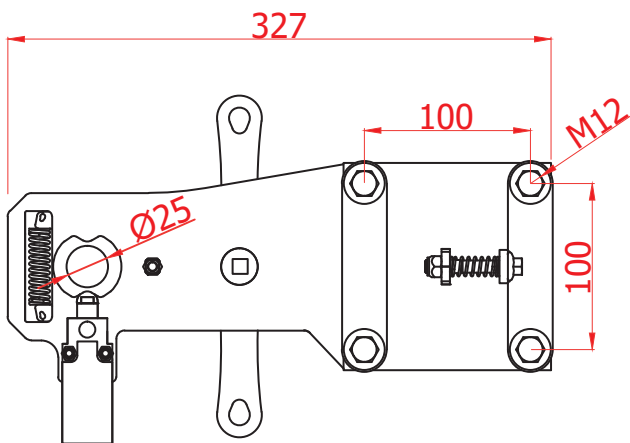
Number of Parcels	Weight (kg)	Length (mm)	Width (mm)	Height (mm)
1	16	210	195	352



Speed	P+Q min...max
0.63 m/s	567 KG ... 4000 KG
0.80 m/s	567 KG ... 4000 KG
1 m/s	567 KG ... 4000 KG

Speed	P+Q min...max
1.2 m/s	567 KG ... 3450 KG
1.6 m/s	567 KG ... 2650 KG

Speed	P+Q min...max
2 m/s	567 KG ... 2300 KG
2.5 m/s	567 KG ... 1800 KG

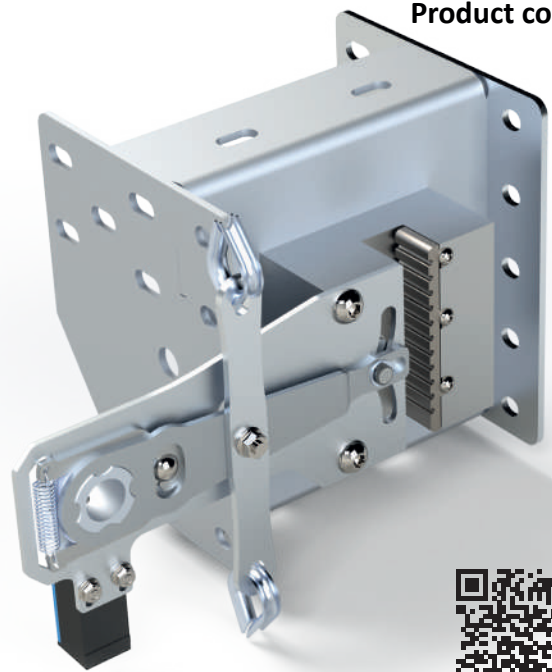


PRO 2000S Unidirectional and Bidirectional Safety Gear with Stand

Product code: 105

Pro 2000 S group progressive safety gears are processed as mono block from steel material.

- There is a centering system on the safety gear and there is no need to make an adjustment,
- The lever mechanism of the safety gear operates from the side, so that no extra work is required on the suspension,
- There is a safety switch and trigger mechanism on the safety gear and it does not require any extra operation,
- Complies with TSE EN 81-20, EAC standards.

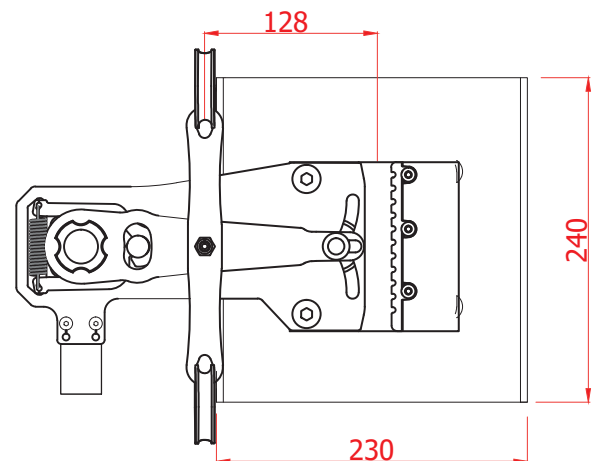
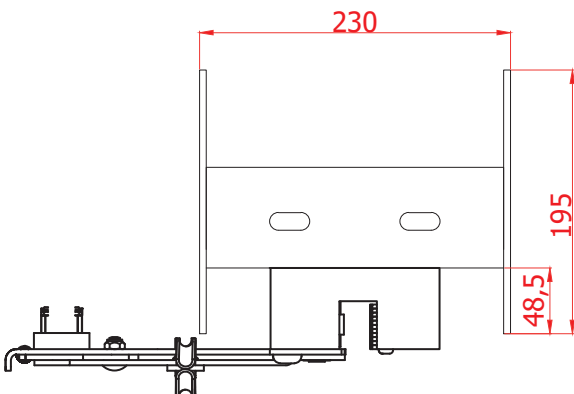
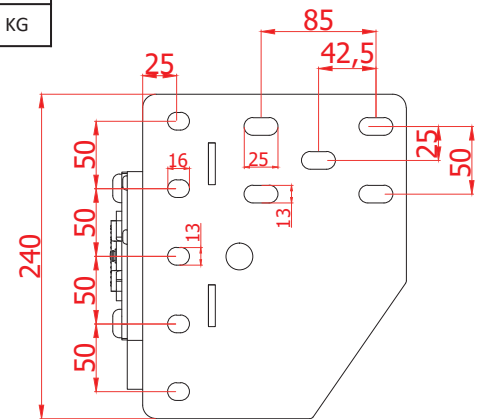
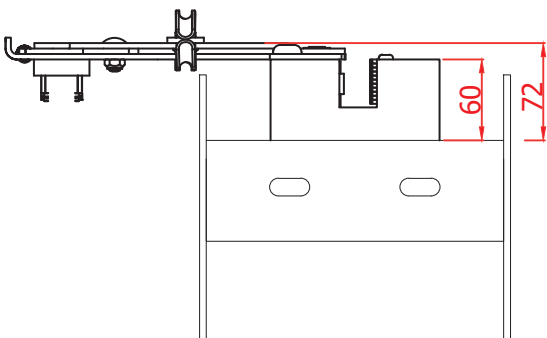


Number of Parcels	Weight (kg)	Length (mm)	Width (mm)	Height (mm)
1	29	400	390	265

Speed	P+Q min...max
0.63 m/s	567 KG ... 4000 KG
0.80 m/s	567 KG ... 4000 KG
1 m/s	567 KG ... 4000 KG

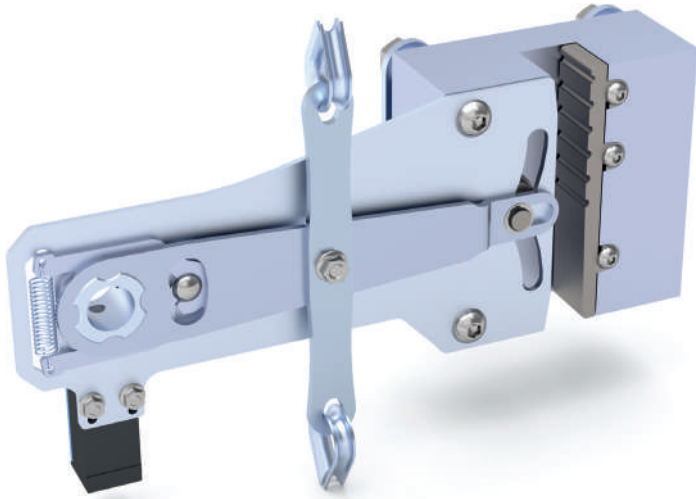
Speed	P+Q min...max
1.2 m/s	567 KG ... 3450 KG
1.6 m/s	567 KG ... 2650 KG

Speed	P+Q min...max
2 m/s	567 KG ... 2300 KG
2.5 m/s	567 KG ... 1800 KG



PRO 5000 Unidirectional and Bidirectional Safety Gear without Stand

Product code: 120



Our Pro 5000 series progressive lift safety gears stand out with their easy assembly and robust structure.

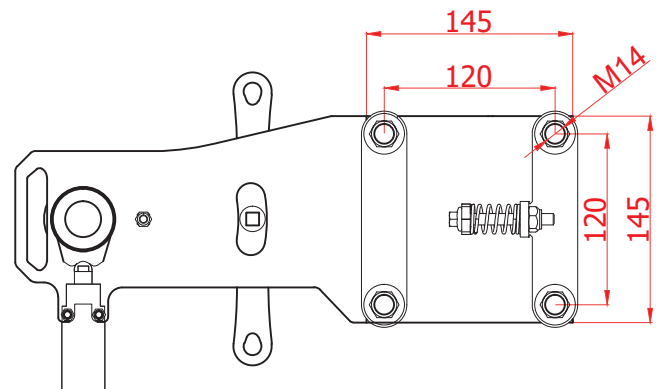
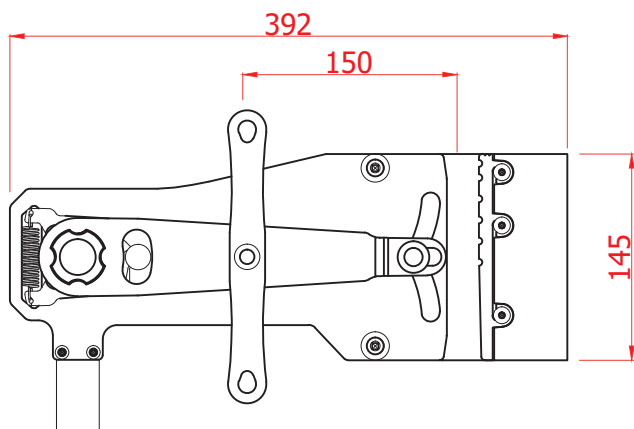
- Steel body and easy assembly,
- It does not cause deformation in the rail,
- The safety gear master cylinder is easily adjusted according to the rail with the adjusting mechanism,
- Since the safety gear blocks are movable during braking, they do not cause deformation in the suspension and cabin after braking,
- There is a centering system on the safety gear and it does not require any operation.



Number of Parcels	Weight (kg)	Length (mm)	Width (mm)	Height (mm)
1	22	235	205	398

Speed	P+Q min...max	Speed	P+Q min...max
0,40...0,80 m/s	1000 KG...5500 KG	1 m/s	1000 KG...5000 KG

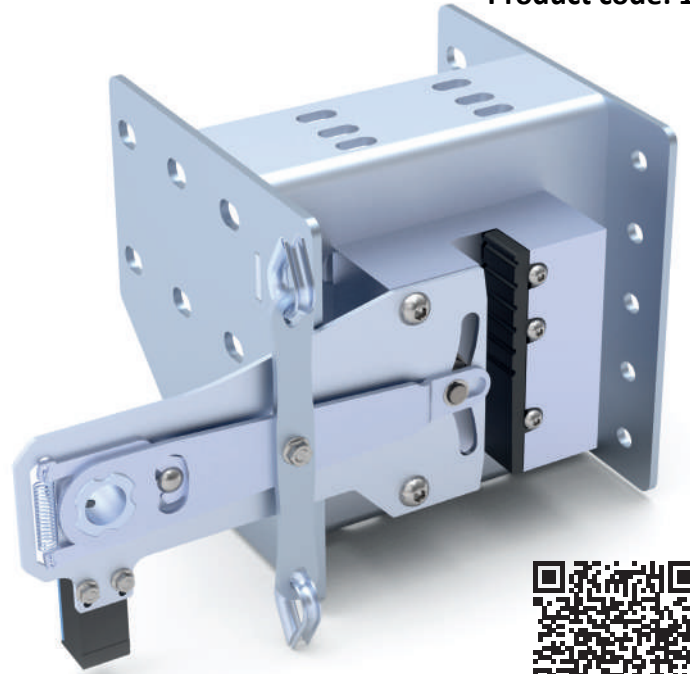
Speed	P+Q min...max	Speed	P+Q min...max	Speed	P+Q min...max	Speed	P+Q min...max
1.2 m/s	1000 KG...4400 KG	1.6 m/s	1000 KG...3400 KG	2 m/s	1000 KG...3100 KG	2.5 m/s	1000 KG...2500 KG



PRO 5000 Unidirectional and Bidirectional Safety Gear with Stand

Product code: 121

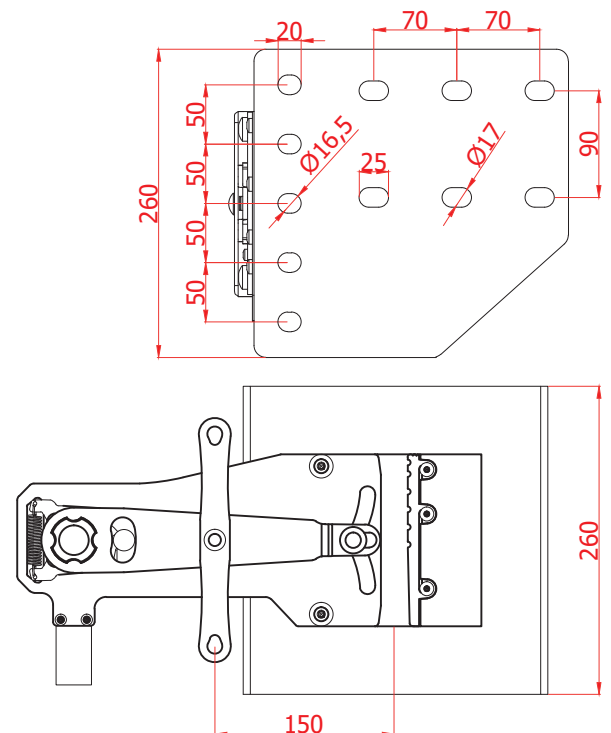
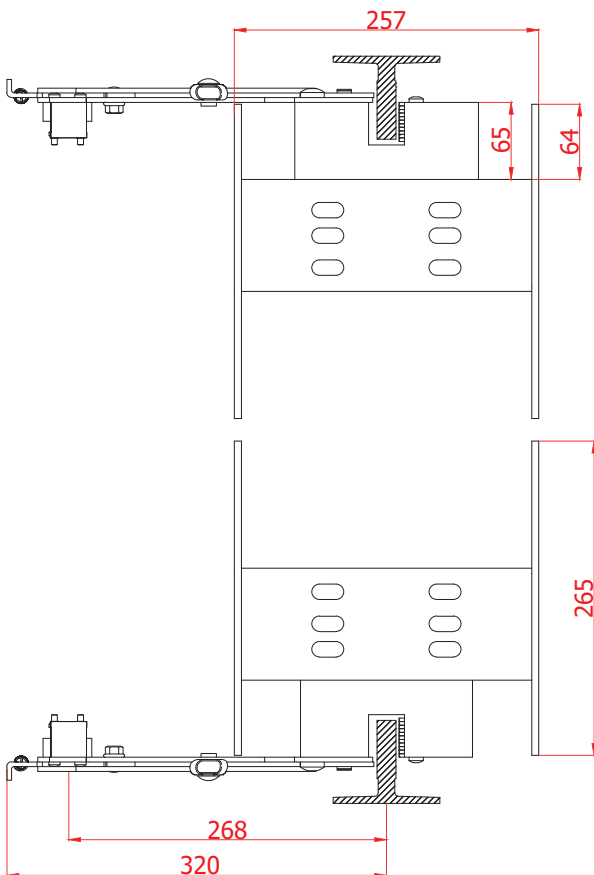
- The lever mechanism of the safety gear operates from the side, so that it does not require any extra operation on the suspension,
- There is a safety switch and trigger mechanism on the safety gear and it does not require any extra operation,
- Complies with TSE EN 81-50, TSE EN 81-20, EAC standards. uygundur.



Number of Parcels	Weight (kg)	Lenght (mm)	Width (mm)	Height (mm)
1	42	490	455	255

Speed	P+Q min...max	Speed	P+Q min...max
0,40...0,80 m/s	1000 KG...5500 KG	1 m/s	1000 KG...5000 KG

Speed	P+Q min...max	Speed	P+Q min...max	Speed	P+Q min...max	Speed	P+Q min...max
1.2 m/s	1000 KG...4400 KG	1.6 m/s	1000 KG...3400 KG	2 m/s	1000 KG...3100 KG	2.5 m/s	1000 KG...2500 KG



PRO 2000 Revision Safety Gear Unidirectional and Bidirectional

Product code: 132

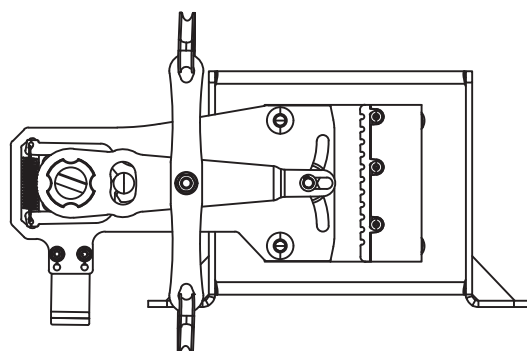
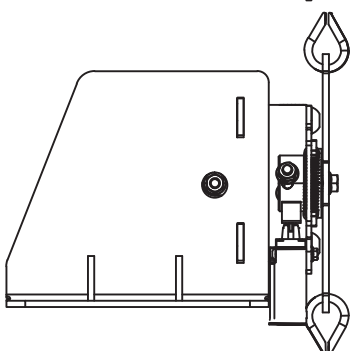
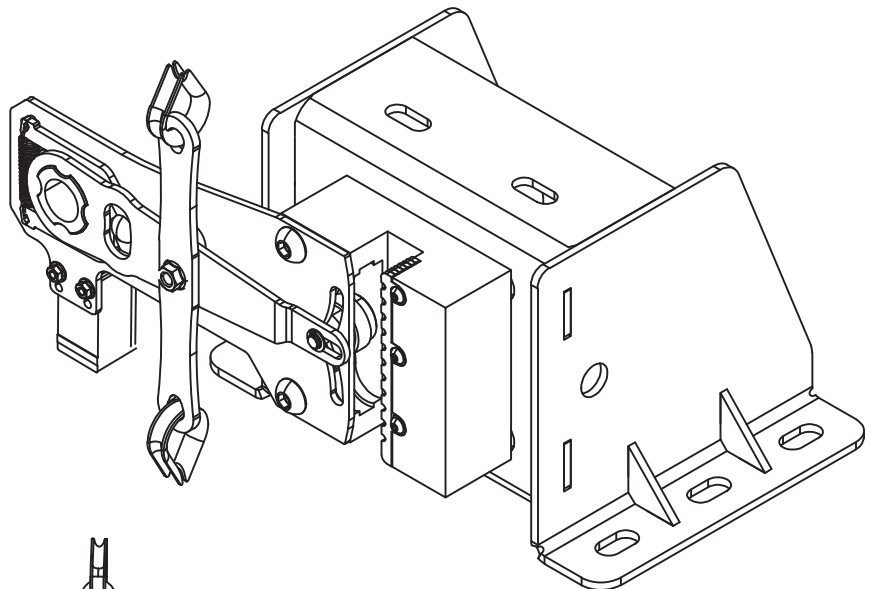
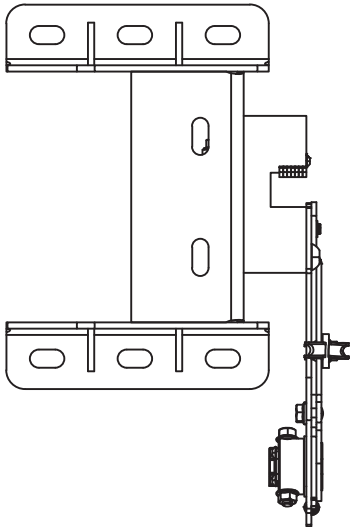


Our Pro 2000 revision safety gears stand out with their easy installation and robust structure.

- There is a centering system on the safety gear and there is no need for further centering.
- The lever mechanism of the safety gear operates from the side, so that no extra work is required on the suspension,
- Complies with TSE EN 81-20, EAC standards,
- **Mechanism connection point can be produced in different sizes according to customer demand.**



Speed	P+Q min...max	Speed	P+Q min...max	Speed	P+Q min...max
1 m/s	567 KG...2400 KG	1.2 m/s	567 KG...2200 KG	1.6 m/s	567 KG...2000 KG



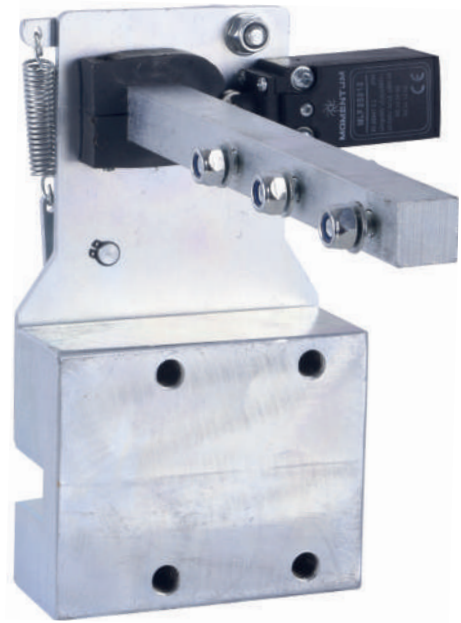
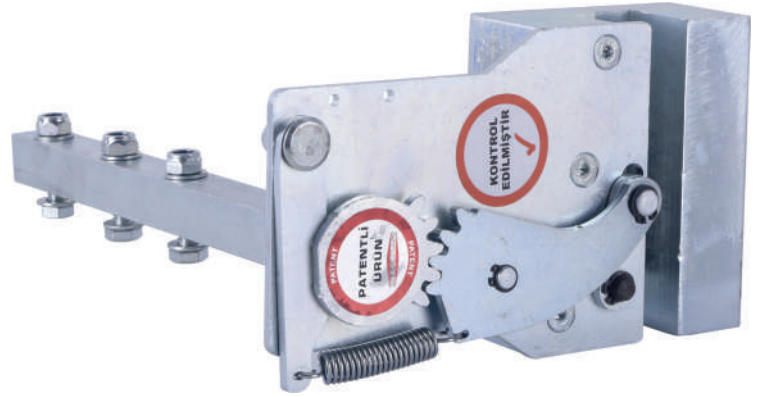
HD 3250 / HD 6500 VINI

Product code: 106-129

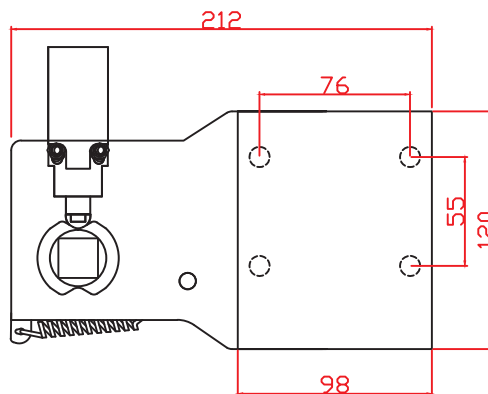
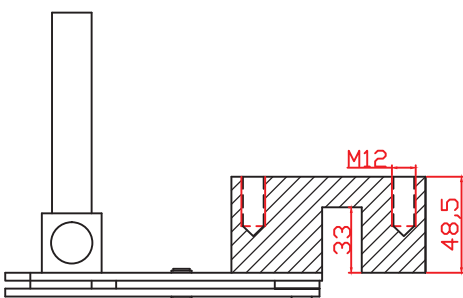
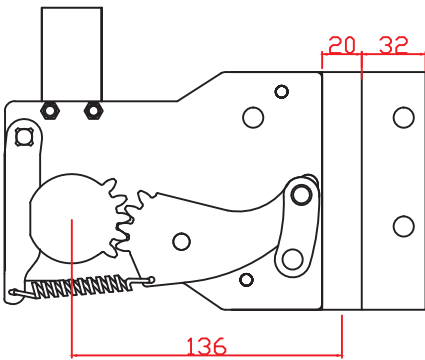
(P+Q 3250 Kg / P+Q 6500 Kg)

Our hydraulic lift safety gears stand out with their easy installation and robust structure.

- Unidirectional brake,
- Steel body,
- The braking mechanism is concealed in the body, preventing foreign substances from entering the safety gear block and putting the braking operation at risk,
- Complies with TSE EN 81-1A3 EN81-2 A EAC standards,
- Complies with TSE EN 81-50, EAC standards,
- HD 3250 Vini model is used in 9mm-16mm rails,
- HD 3250 Vini model is used in capacity up to P+Q=3250 kg,
- HD 6500 Vini model is used in 16 mm rails,
- The HD6500 Vini model is used with a capacity of P+Q=6500 kg.



Number of Parcels	Weight (kg)	Length (mm)	Width (mm)	Height (mm)
1	11	260	260	135



Hydraulic Lift Safety Gears

HD Series Hydraulic Safety Gears



HD 3250 Hydraulic Safety Gears

Product code: 107

(P+Q 3250 Kg)

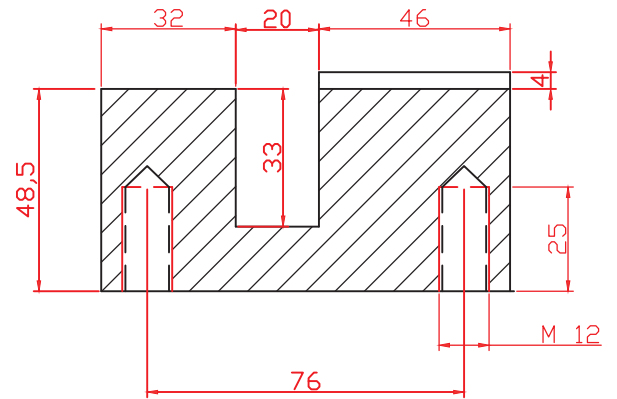
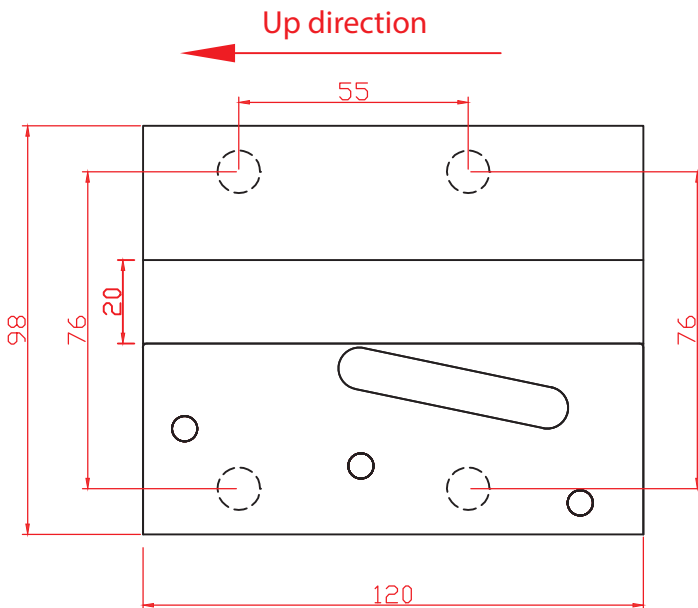


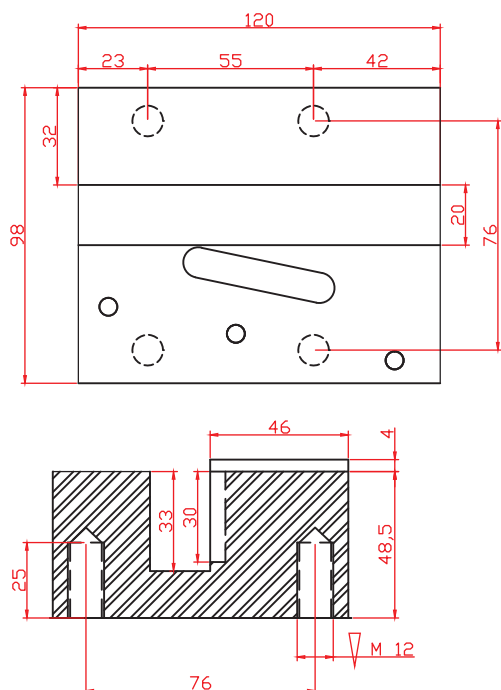
Our hydraulic lift safety gears stand out with their easy installation and robust structure.

- Unidirectional brake,
- Steel body,
- The braking mechanism is hidden inside the body, preventing foreign substances from entering the safety gear block and putting the braking process at risk,
- Complies with TSE EN 81-1A3 EN81-2 A EAC standards,
- Complies with TSE EN 81-50, EAC standards.
- used up to a speed of 0.63 m/s,
- It is used in capacity up to 3250 kg.



Number of Parcels	Weight (kg)	Length (mm)	Width (mm)	Height (mm)
1	7,5	150	120	120





• It is used in a capacity of up to 6500 kg.

HD 6500 Hydraulic Safety Gear

Product code: 108

(P+Q 6500 Kg)

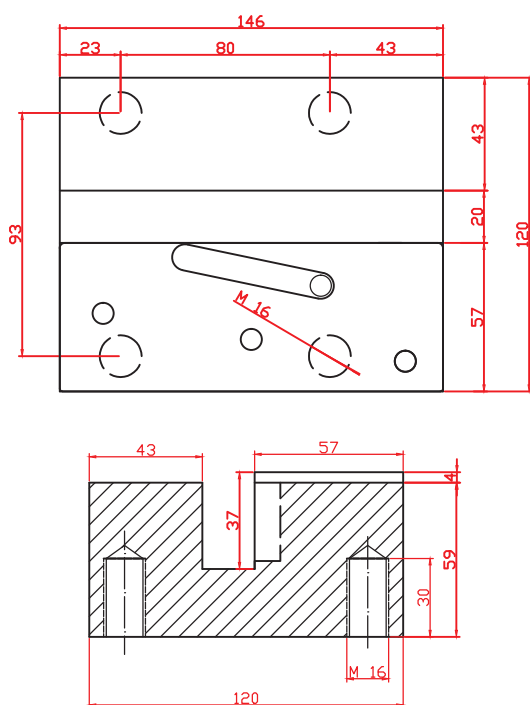


Number of Parcels	Weight (kg)	Length (mm)	Width (mm)	Height (mm)
1	7,5	150	120	120

HD 13000 Hydraulic Safety Gear

Product code: 109

(P+Q 13000 Kg)



• It is used in capacity up to 13000 kg.



Number of Parcels	Weight (kg)	Length (mm)	Width (mm)	Height (mm)
1	14,5	260	260	135

Overspeed Regulator

Moment Series



MOMENT 250 C Bidirectional

Product code: 113

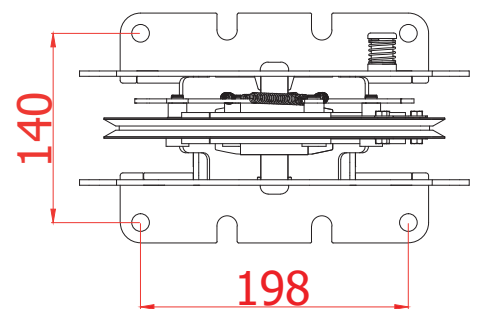
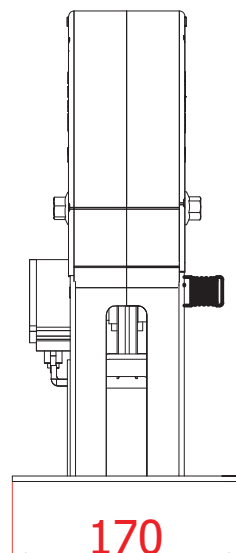
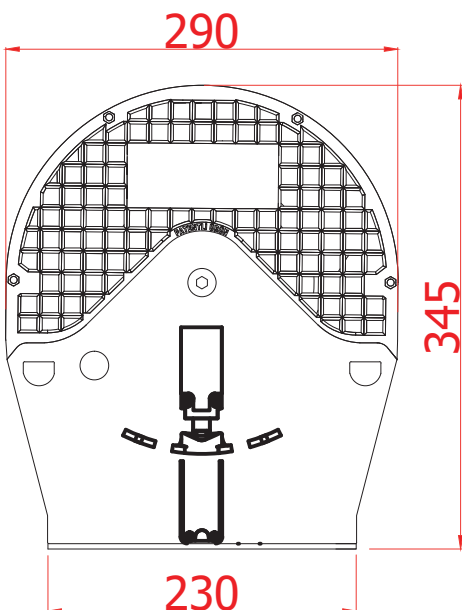


- Made of steel body,
- Provides bidirectional speed control,
- It operates quietly,
- Complies with TSE EN 81-50, TSE EN 81-20, EAC standards.
- Pulley diameter is 250mm.



Number of Parcels	Weight (kg)	Length (mm)	Width (mm)	Height (mm)
1	16	300	265	375

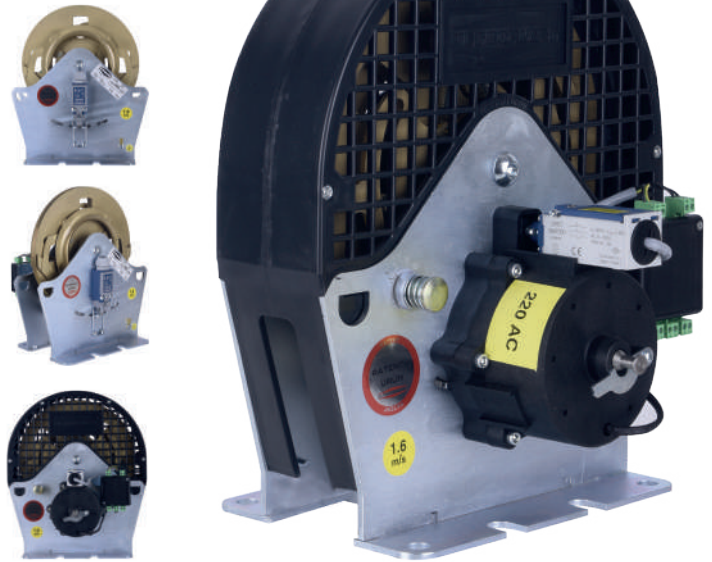
Data/Type	Moment 250 040	Moment 250 050	Moment 250 063	Moment 250 080	Moment 250 100	Moment 250 120	Moment 250 160	Moment 250 200	Moment 250 250
Nominal velocity	0,40 m/s	0,50 m/s	0,63 m/s	0,80 m/s	1,00 m/s	1,20 m/s	1,60 m/s	2,00 m/s	2,50 m/s



MOMENT 250 A3 Bidirectional

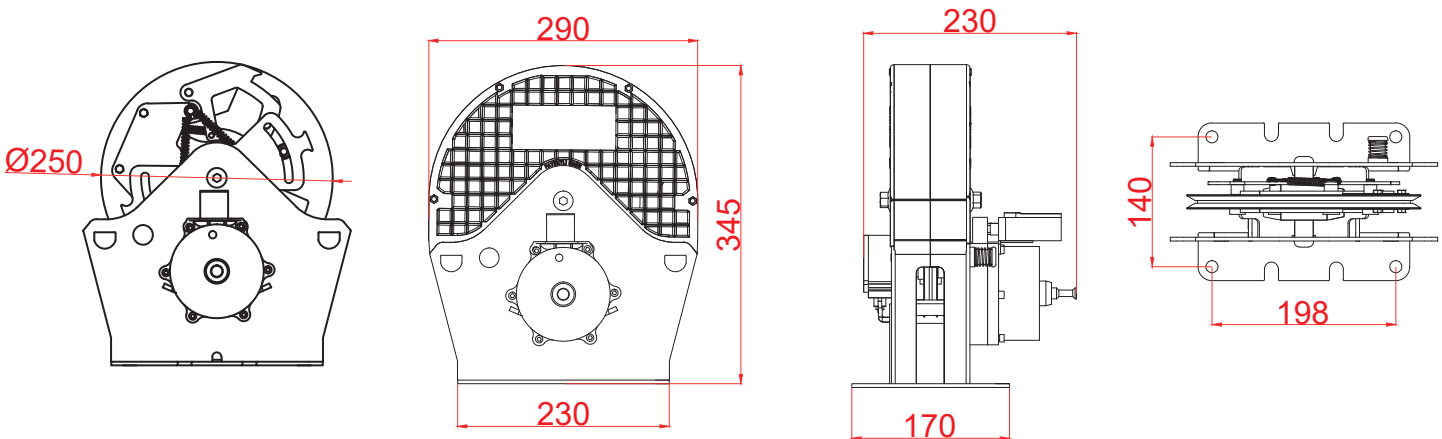
Product code: 114

- Made of steel body,
- Provides bidirectional speed control,
- It operates quietly,
- A3 control coil 220 AC VOLTS are used,
- Complies with TSE EN 81-50, TSE EN 81-20, EAC standards.
- Pulley diameter is 250mm.



Number of Parcels	Weight (kg)	Length (mm)	Width (mm)	Height (mm)
1	18	310	355	370

Data/Type	Moment 250 040	Moment 250 050	Moment 250 063	Moment 250 080	Moment 250 100	Moment 250 120	Moment 250 160	Moment 250 200	Moment 250 250
Nominal velocity	0,40 m/s	0,50 m/s	0,63 m/s	0,80 m/s	1,00 m/s	1,20 m/s	1,60 m/s	2,00 m/s	2,50 m/s



MOMENT 250 MRL Stand Type (Remote Access)

Product code: 115

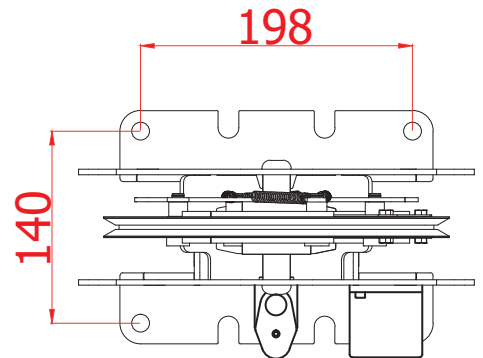
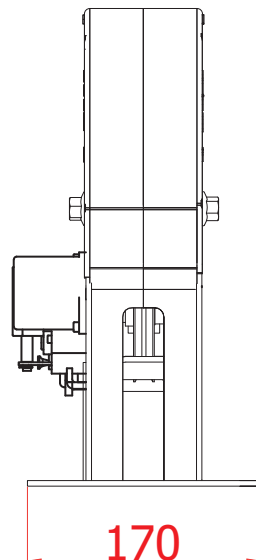
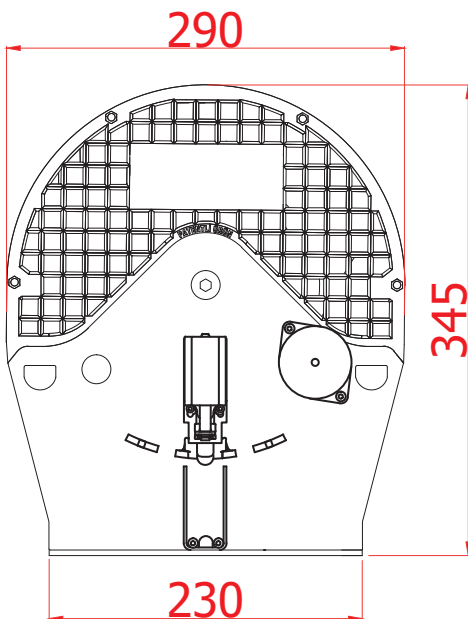


- Made of steel body,
- Provides bidirectional speed control,
- It operates quietly,
- The machine is used in lifts machine roomless, it provides remote access,
- Test coil 24 OC 190 DC options are also available,
- Remote access coil 24 DC-190 DC options are available that provide safety switch control,
- Complies with TSE EN 81-50, TSE EN 81-20, EAC standards.
- Pulley diameter is 250mm.



Number of Parcels	Weight (kg)	Length (mm)	Width (mm)	Height (mm)
1	16	300	265	375

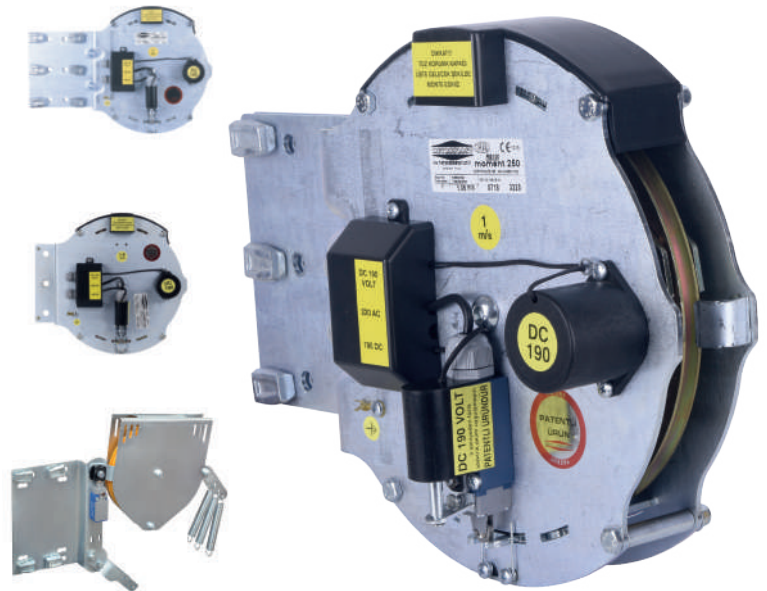
Data/Type	Moment 250 040	Moment 250 050	Moment 250 063	Moment 250 080	Moment 250 100	Moment 250 120	Moment 250 160	Moment 250 200	Moment 250 250
Nominal velocity	0,40 m/s	0,50 m/s	0,63 m/s	0,80 m/s	1,00 m/s	1,20 m/s	1,60 m/s	2,00 m/s	2,50 m/s



MOMENT 250 MRL Rail Type (Remote Access)

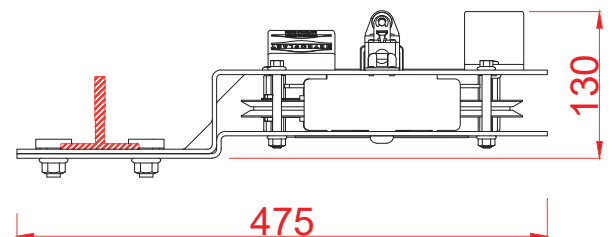
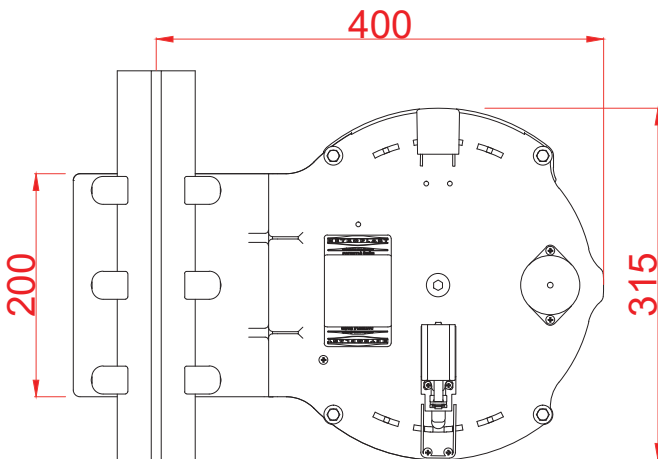
Product code: 119

- Made of steel body,
- It is easy to assemble.
- Connection is made on the rail,
- Provides bidirectional speed control,
- It operates quietly,
- Used in machine roomless lifts,
- Provides remote access,
- Test coil 24 DC 190 DC options are also available,
- Remote access coil 24 DC 190 DC options are available that provide safety switch control.
- TSE EN 81-50. Complies with TSE EN 81-20, EAC standards.
- Pulley diameter is 250mm.



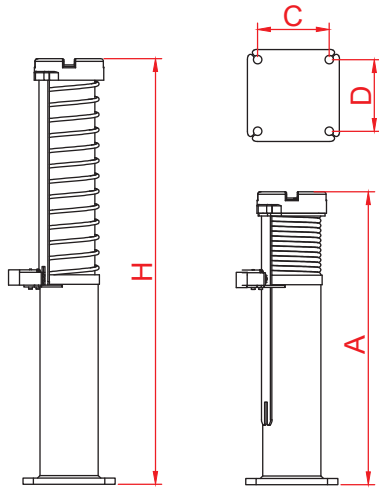
Number of Parcels	Weight (kg)	Length (mm)	Width (mm)	Height (mm)
1	21	625	355	200

Data/Type	Moment 250 040	Moment 250 050	Moment 250 063	Moment 250 080	Moment 250 100	Moment 250 120	Moment 250 160	Moment 250 200	Moment 250 250
Nominal velocity	0,40 m/s	0,50 m/s	0,63 m/s	0,80 m/s	1,00 m/s	1,20 m/s	1,60 m/s	2,00 m/s	2,50 m/s



HT16-102 Hydraulic Buffer

Product code: 116



Hydraulic buffers are produced for the cabin to stop comfortably and within the acceleration range determined by the standards, in case the lift continues without seeing the ground floor.

- Complies with TSE EN 81-50, EAC standards.
- Provides easy assembly,
- Provides ease of checking the oil level,
- Safety control switch,
- It provides ease of maintenance.

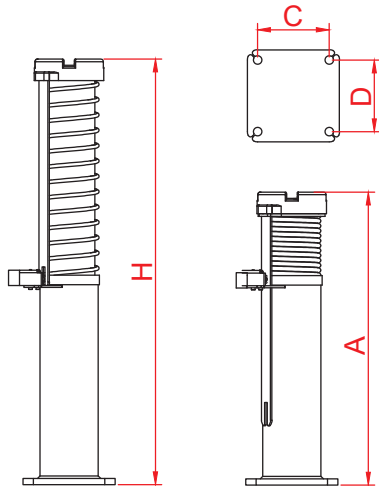


Number of Parcels	Weight (kg)	Length (mm)	Width (mm)	Height (mm)
1	11	185	170	415

V	V1	H	A	STROKE	D & C	Capacity
1 m/s	1,15 m/s	540 mm	360 mm	180 mm	120 mm	500 KG...2500 KG
1,2 m/s	1,38 m/s	540 mm	360 mm	180 mm	120 mm	500 KG...2300 KG
1,6 m/s	1,84 m/s	540 mm	360 mm	180 mm	120 mm	500 KG...2145 KG

HT20-114 Hydraulic Buffer

Product code: 123



- Complies with TSE EN 81-50, EAC standards.
- Provides easy assembly,
- Provides ease of checking the oil level,
- Safety control switch,
- It provides ease of maintenance.



Number of Parcels	Weight (kg)	Length (mm)	Width (mm)	Height (mm)
1	21	825	197	198

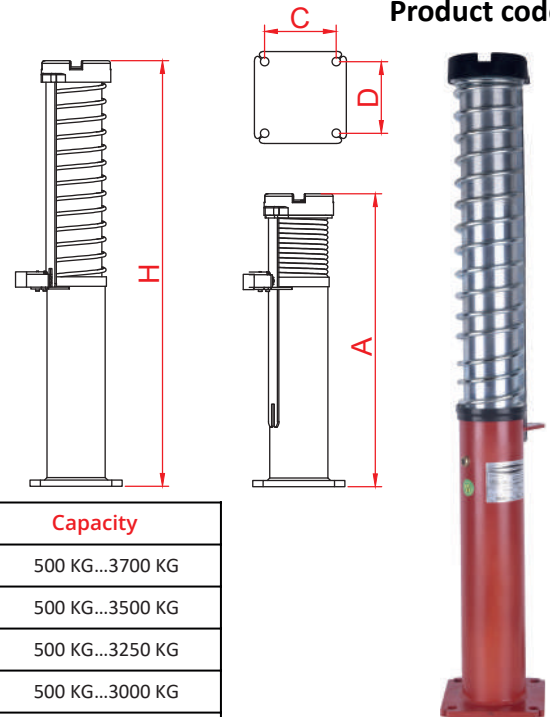
V	V1	H	A	STROKE	D & C	Capacity
1 m/s	1,15 m/s	820 mm	530 mm	270 mm	140 mm	500 KG...3500 KG
1,2 m/s	1,38 m/s	820 mm	530 mm	270 mm	140 mm	500 KG...3250 KG
1,6 m/s	1,84 m/s	820 mm	530 mm	270 mm	140 mm	500 KG...3050 KG
2 m/s	2,3 m/s	820 mm	530 mm	270 mm	140 mm	500 KG...2800 KG

- Complies with TSE EN 81-50, EAC standards.
- Provides easy assembly,
- Provides ease of checking the oil level,
- Safety control switch,
- It provides ease of maintenance.



HT25-114 Hydraulic Buffer

Product code: 124

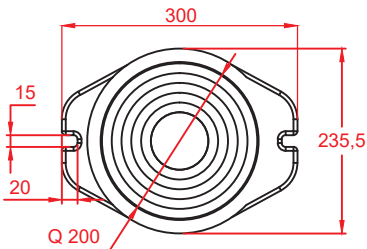


Number of Parcels	Weight (kg)	Length (mm)	Width (mm)	Height (mm)
1	11	185	170	415

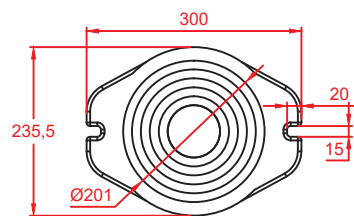
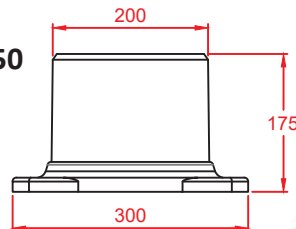
V	V1	H	A	STROKE	D & C	Capacity
1 m/s	1,15 m/s	1150 mm	750 mm	422 mm	140 mm	500 KG...3700 KG
1,2 m/s	1,38 m/s	1150 mm	750 mm	422 mm	140 mm	500 KG...3500 KG
1,6 m/s	1,84 m/s	1150 mm	750 mm	422 mm	140 mm	500 KG...3250 KG
2 m/s	2,3 m/s	1150 mm	750 mm	422 mm	140 mm	500 KG...3000 KG
2,5 m/s	2,88 m/s	1150 mm	750 mm	422 mm	140 mm	500 KG...2500 KG

BF200 / BF150 Pit Bottom Buffer

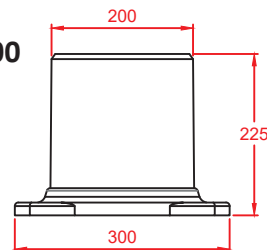
Product code:117,117-2



BF 150



BF 200



Product Type	Declared Speed	Capacity (kg)	Stroke (mm)
BF 200	1 m/s	800 KG...1770 KG	90...100
BF 150	1 m/s	400 KG...900 KG	90...100

Product Type	Weight (kg)	Length (mm)	Width (mm)	Height (mm)
BF 150 - BF 200	7	315	245	420

- BF 150 is used at a speed of 1 m/s... between 400kg...900 kg.
- BF 2001 is used at a speed of 1 m/s between 800kg... 1770kg.
- Complies with TSE EN 81-1 A3 EN81-2A, EAC standards.

PL 130
Polyurethane Buffer
Product code: 918



PL 140
Polyurethane Buffer
Product code: 919



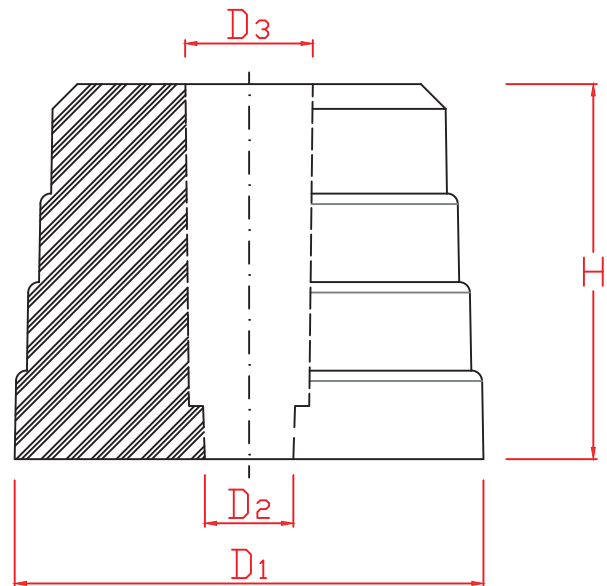
PL 150
Polyurethane Buffer
Product code: 920



Polyurethane Lift Buffers

Polyurethane buffers are produced to stop the cabin comfortably and within the acceleration range determined by the standards, in case the lift continues without seeing the ground floor.

- PL 130 is used at 1m/sec between 500kg...2400 kg,
- PL 140 is used at 1m/sec between 500kg...3500 kg,
- PL 150 is used at 1m/sec between 500kg...5300 kg,
- 500kg TSE EN 81-50, TSE EN 81-20, EAC standards,
- Provides easy assembly,
- Provides ease of maintenance.



Models	Capacity			Dimensions			
	Hız m/s	Min.kg	Max.kg	H (mm)	D1 (mm)	D2 (mm)	D3 (mm)
PL 130	1	500	2400	106	135	25	36
PL 140	1	500	3500	142	140	25	36,80
PL 150	1	500	5300	183	150	25	37,70

6,5-8 mm

Rope Attachment

Product code: 406 (with spring)
Product code: 405 (with rubber)



9-11 mm

Rope Attachment

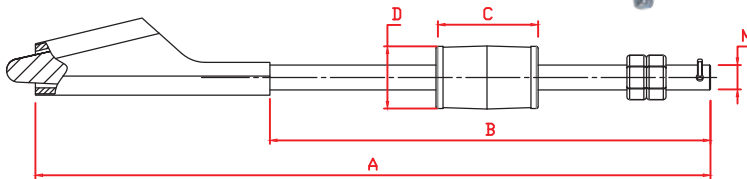
Product code: 410 (with spring)
Product code: 409 (with rubber)



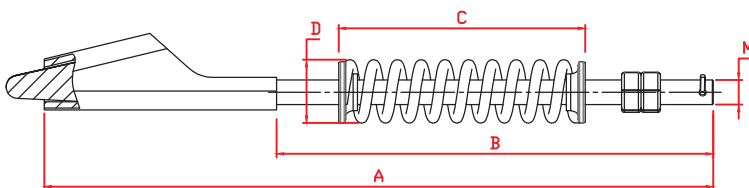
11-13 mm

Rope Attachment

Product code: 413 (with spring)
Product code: 412 (with rubber)



Dimensions -with rubber	A	B	C	D	M
6,5-8 mm	380 mm	250 mm	55 mm	35 mm	M14 mm
9-11 mm	450 mm	290 mm	85 mm	45 mm	M16 mm
11-13 mm	610 mm	370 mm	85 mm	57,5 mm	M18 mm



Dimensions-with Spring	A	B	C	D	M
6,5-8 mm	380 mm	250 mm	120 mm	35 mm	M14 mm
9-11 mm	450 mm	290 mm	140 mm	40 mm	M16 mm
11-13 mm	610 mm	370 mm	140 mm	57,5 mm	M18 mm

Rope Attachment

It is the spare part of the lift that provides the connection of the ropes carrying the lift cabin and the counterweight to the cabin and the counterweight.

A rubber or spring rope attachment is used for the rope connection with the cabin and a spiral spring rope attachment is used for the counterweight.

- Steel body reinforced with welding.
- Galvanized coating,
- Aluminum Cleat.-

Dimensions	Number of Parcels	Weight (kg)	Length (mm)	Width (mm)	Height (mm)
6,5-8 mm	10 (5 with rubber and 5 with spring)	8	393	180	93
9-11 mm	10 (5 with rubber and 5 with spring)	13	465	195	100
11-13 mm	10 (5 with rubber and 5 with spring)	23	640	235	150



Roller Guide Shoes

Lift Guide Shoes

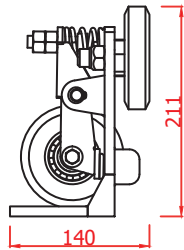
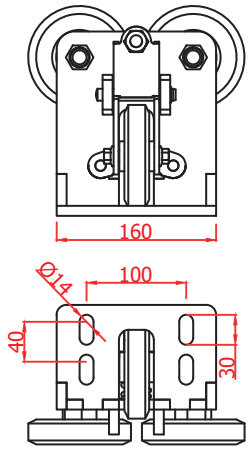


Roller Guide Shoe (Adjustable)

Product code: 301



- Rail size allows adjustment between 5 mm, 9 mm, 16 mm.
- Used at speeds up to and including 1 m/s,
- Does not require maintenance.
- Provides ease of working in dusty and dirty environments,
- It provides ease of operation due to its flexibility to the places with variable sizes between rails.

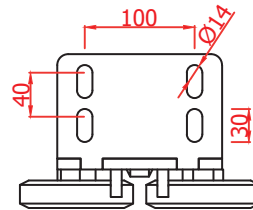
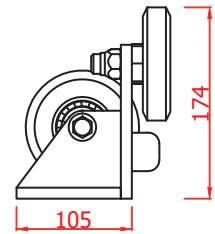
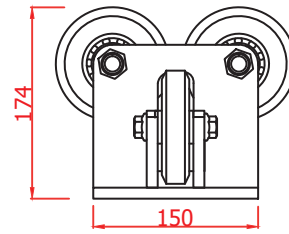


Roller Guide Shoe (Fixed)

Product code: 302



- Rail size allows adjustment between 5 mm, 9 mm, 16 mm.
- Used at speeds up to and including 1 m/s,
- Does not require maintenance.
- Provides ease of operation in dusty and dirty environments.

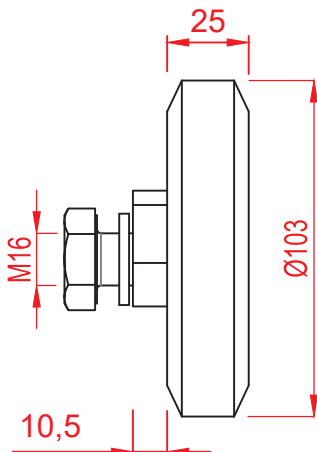


25' Roller

Product code: 303

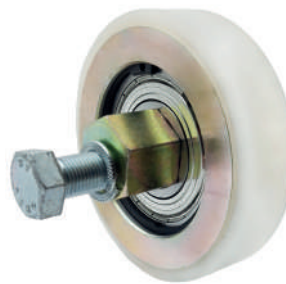


- It is used as a balancing reel in lifts with L carcass,
- The maximum load it will carry is 300 kg,
- The roller body is eccentric and Provides 7 mm adjustment
- Diameter \varnothing 103 mm. Thickness \varnothing 25 mm

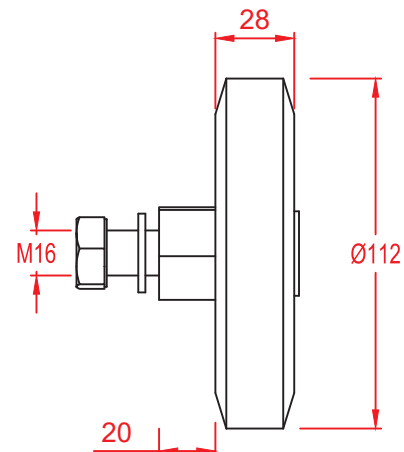


30' Roller

Product code: 304

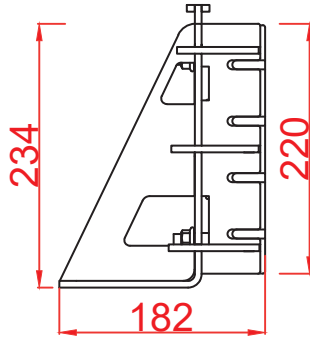


- It is used as a balancing reel in lifts with L carcass,
- The maximum load it will carry is 300 kg,
- The roller body is eccentric and allows 7 mm adjustment,
- Diameter \varnothing 112 mm thickness \varnothing 28 mm



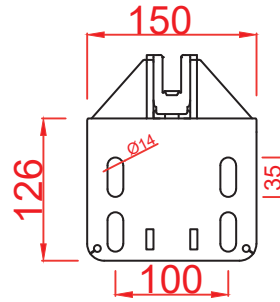
High Speed Guide Shoe Fixed (16mm)

Product code: 806



High Speed Guide Shoe Adjustable (9-16mm)

Product code: 807



It is the spare part of the lift that provides and guides the comfortable movement of the lift cabin and its counterweight on the rail.

Number of Parcels	Weight (kg)	Length (mm)	Width (mm)	Height (mm)
4	17	310	265	265

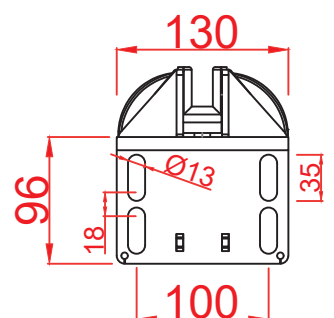
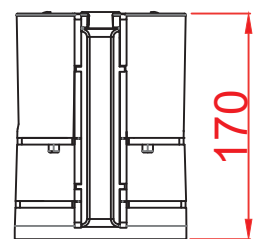
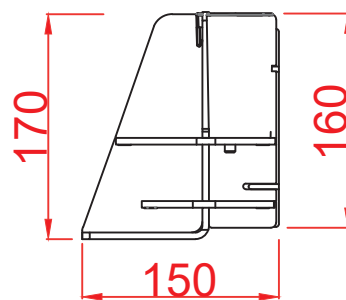
Number of Parcels	Weight (kg)	Length (mm)	Width (mm)	Height (mm)
4	20	310	265	365

High Speed Guide Shoe with Oil Can (9-16mm)

Product code: 808

It is the spare part of the lift that provides and guides the comfortable movement of the lift cabin and its counterweight on the rail.

- Rail size allows use in rail options of 5 mm, 9 mm and 16 mm,
- The oil can reservoirs are located on guide shoes.



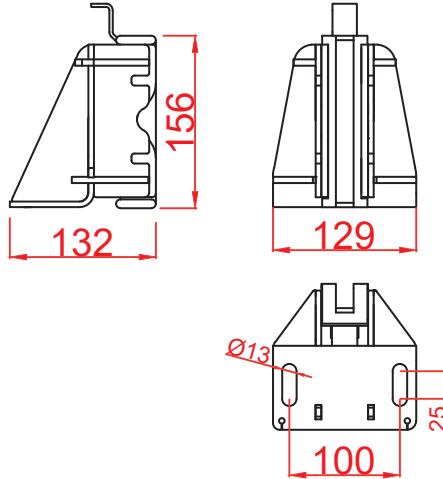
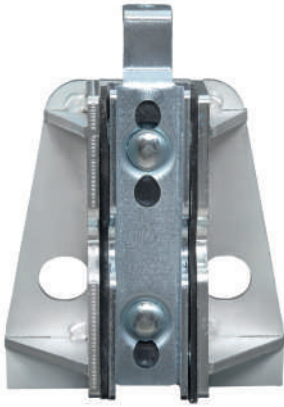
Iron Sheet Guide Shoes

Lift Guide Shoes



Iron Sheet Guide Shoe (16mm)

Product code: 802



Iron Sheet Guide Shoe (9mm)

Product code: 801



It is the spare part of the lift that provides and guides the comfortable movement of the lift cabin and its counterweight on the rail.

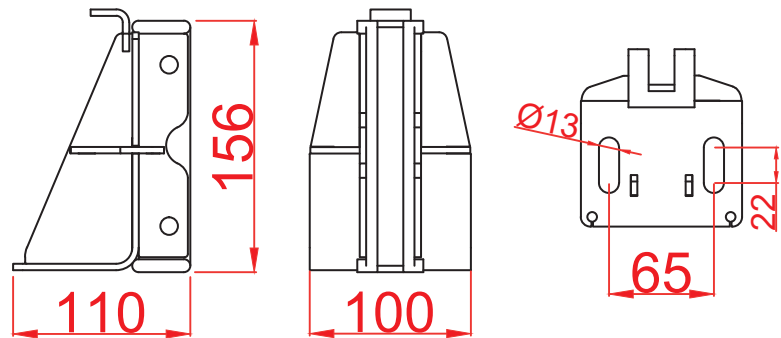
Number of Parcels	Weight (kg)	Length (mm)	Width (mm)	Height (mm)
10	25	365	360	240

Number of Parcels	Weight (kg)	Length (mm)	Width (mm)	Height (mm)
10	25	365	360	240

Iron Sheet Weight Guide Shoe (5mm)

Product code: 803

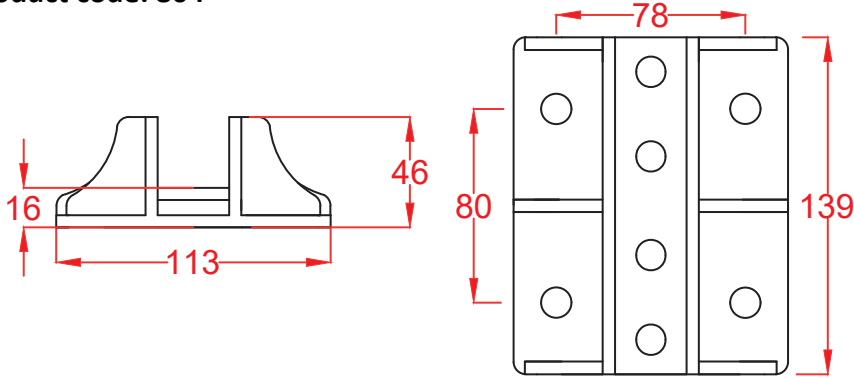
It is the spare part of the lift that provides and guides the comfortable movement of the lift cabin and its counterweight on the rail.



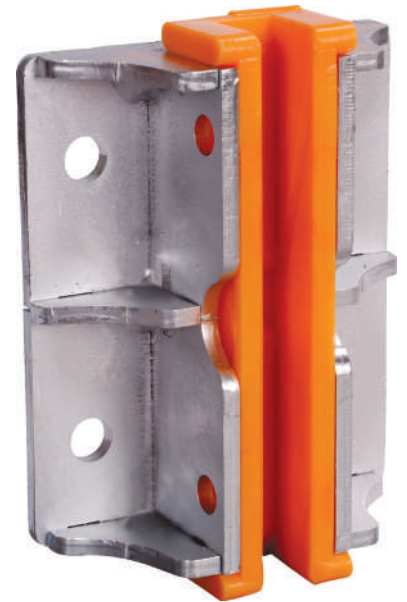
Number of Parcels	Weight (kg)	Length (mm)	Width (mm)	Height (mm)
1	22	365	365	195

Flat Iron Sheet Guide Shoes (5-9-16mm)

Product code: 804



Number of Parcels	Weight (kg)	Length (mm)	Width (mm)	Height (mm)
20	28	365	365	195

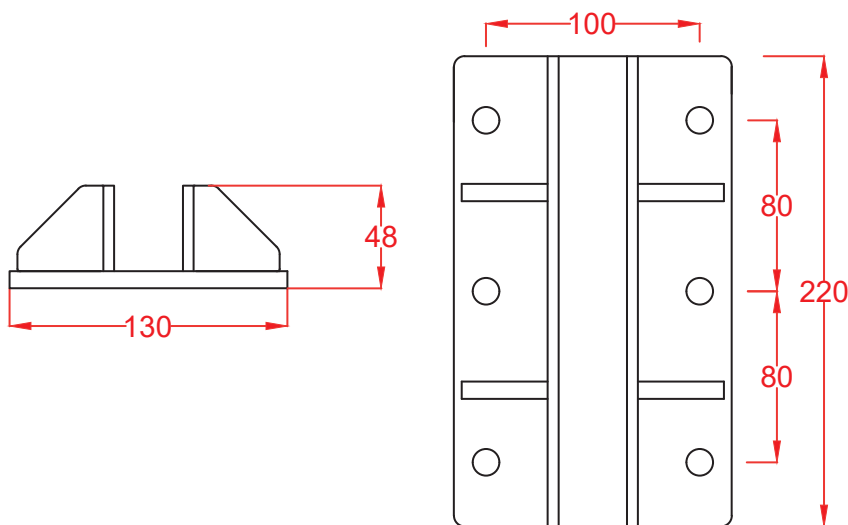


It is the spare part of the lift that provides and guides the comfortable movement of the lift cabin and its counterweight on the rail.

High Speed Flat Iron Sheet Guide Shoe (16mm)

Product code: 805

It is the spare part of the lift that provides and guides the comfortable movement of the lift cabin and its counterweight on the rail.



Number of Parcels	Weight (kg)	Length (mm)	Width (mm)	Height (mm)
10	29	365	365	195



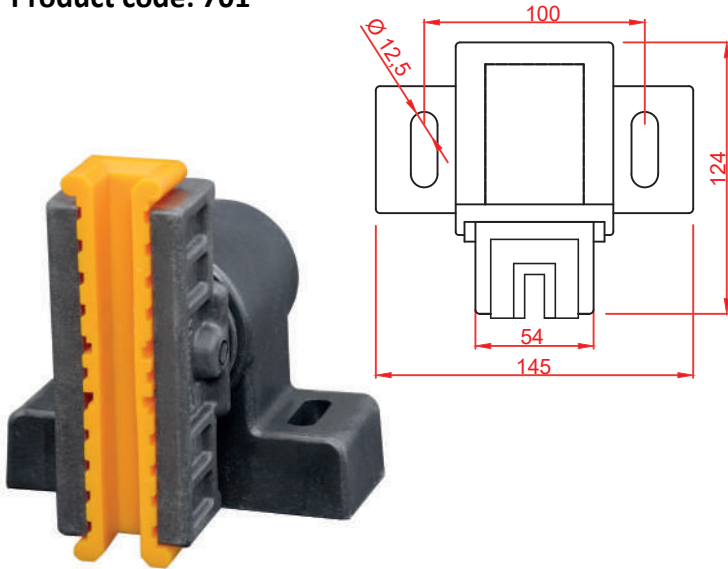
Teflon Guide Shoes

Lift Guide Shoes



Teflon Cabin Guide Shoes (9-16mm)

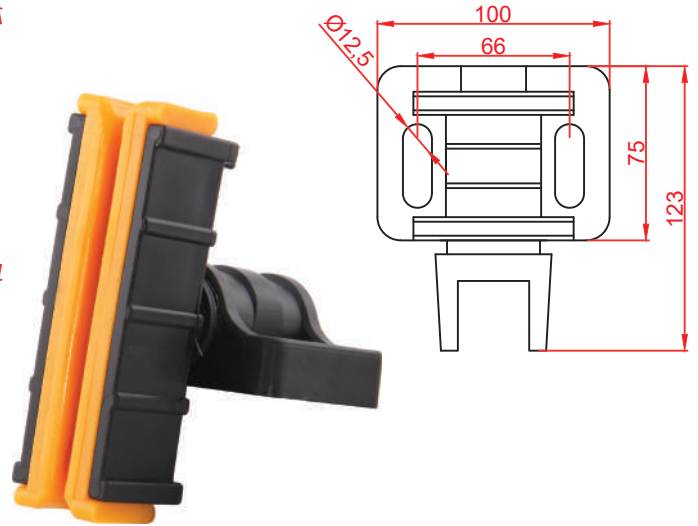
Product code: 701



Number of Parcels	Weight (kg)	Length (mm)	Width (mm)	Height (mm)
28	31	620	315	336

Teflon Weight Guide Shoes (5mm)

Product code: 702

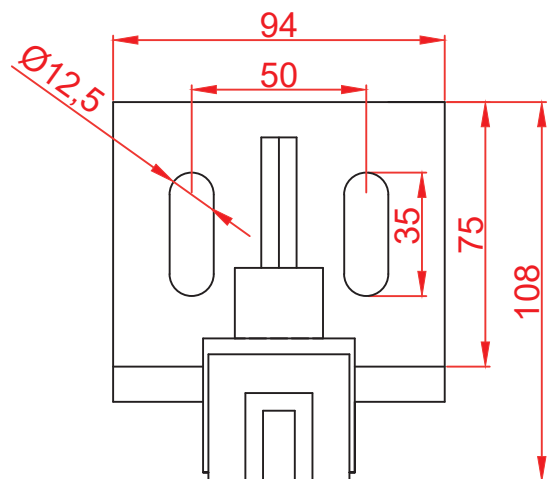


Number of Parcels	Weight (kg)	Length (mm)	Width (mm)	Height (mm)
52	25	620	315	336

It is the spare part of the lift that provides and guides the comfortable movement of the lift cabin and its counterweight on the rail.

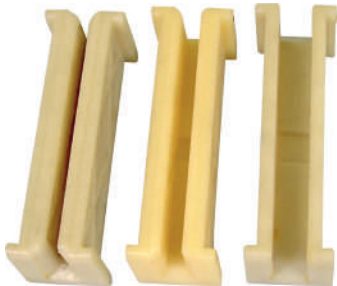
Teflon Weight Guide Shoe L type (5mm)

Product code: 703



Number of Parcels	Weight (kg)	Length (mm)	Width (mm)	Height (mm)
50	31	620	315	336

**Hard Type 5-9-16mm
Guide Shoe Insert**
Product code: 507



- Made of polyamide material,
- Its abrasion resistance is high,
- It has no stretching feature,
- It is used in 140 mm length, 5 mm, 9 mm and 16 mm rail sizes.

**Soft Type 5-9-16mm
Guide Shoe Insert**
Product code: 508



- Made of polyurethane blended material,
- Its abrasion resistance is very high,
- It is soft and can stretch,
- It is used in 140 mm length, 5 mm, 9 mm and 16 mm rail sizes.

**Normal Type 5-9-16mm
Guide Shoe Insert**
Product code: 203

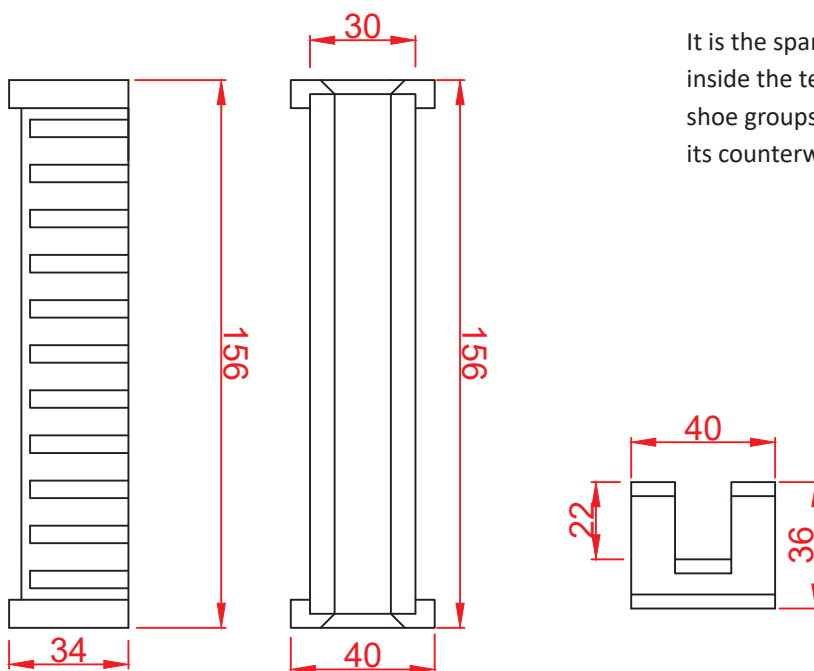


- It is produced from PE material,
- Its abrasion resistance is low,
- It is used in 140 mm length, 5 mm, 9 mm and 16 mm rail sizes.

Number of Parcels
252

Number of Parcels
252

Number of Parcels
270



It is the spare part of the lift that provides the bedding placed inside the teflon guide shoe, iron sheet guide shoe, flat guide shoe groups that guides the travel distance of the lift cabin and its counterweight on the rail.

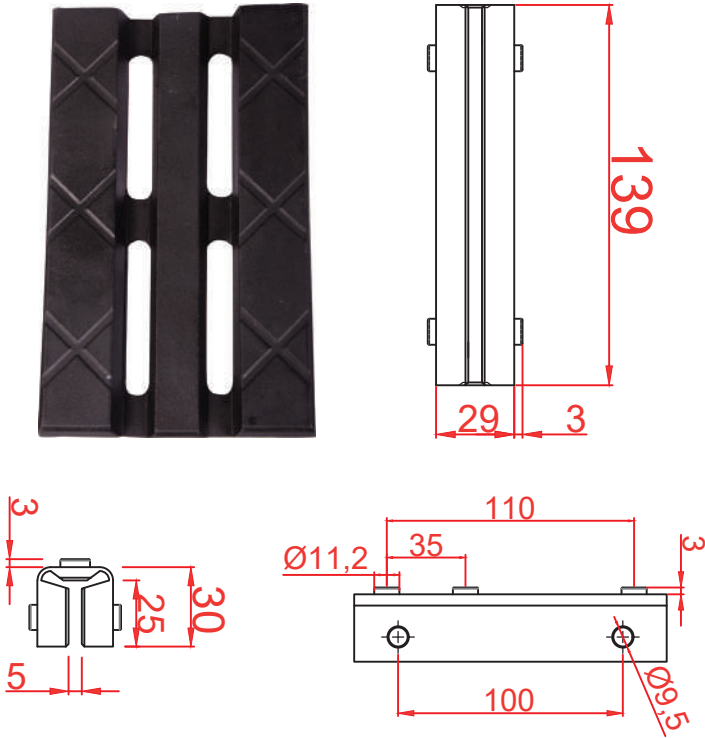
Guide Shoe Insert

Lift Guide Shoes



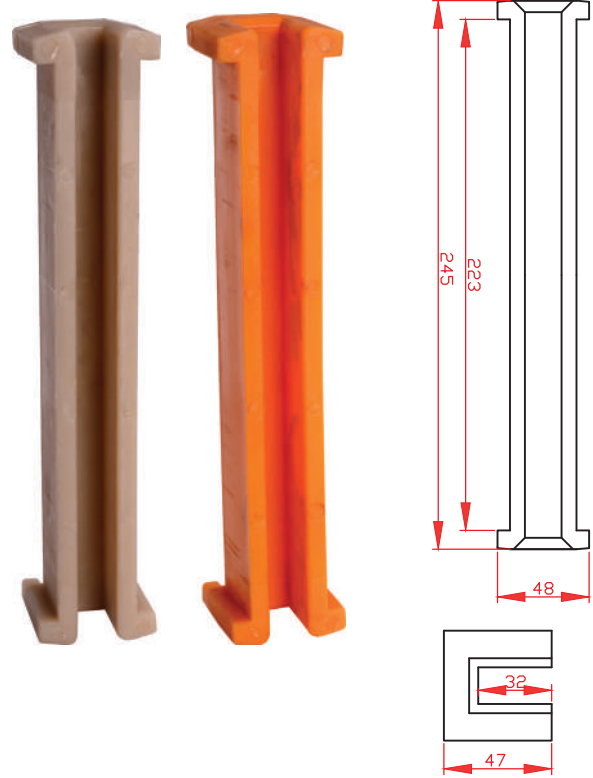
Guide Shoe Insert Folding Type (5-9-16mm)

Product code: 204



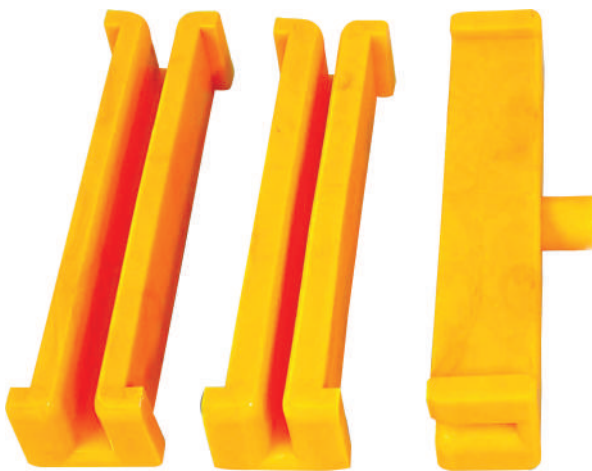
High Speed Guide Shoe Insert (16mm)

Product code: 206

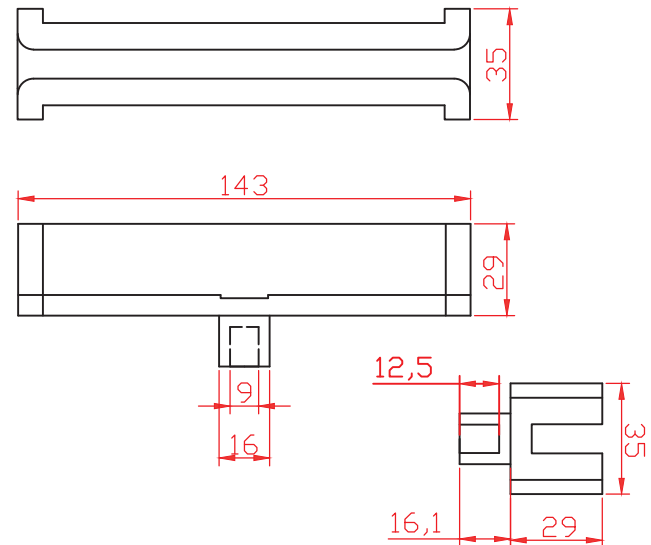


Guide Shoe Insert with Pin (5- 9-16mm)

Product code: 207



- It is made of polyethylene blended material,
- Its abrasion resistance is low,
- It is soft and can stretch,
- It is used at speeds below 2 m/s,
- It is used in 140 mm length, 5 mm 9 mm 16 mm rail thicknesses.



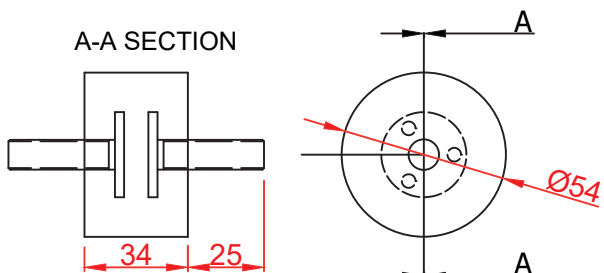
M10 Cabin Wedge with Bolt

Product code: 901



- M10* has a bolt length of 20 mm
- The carrying capacity is 100 kg for 1 piece,
- Absorbs vibration between the cabin and the suspension.

A-A SECTION



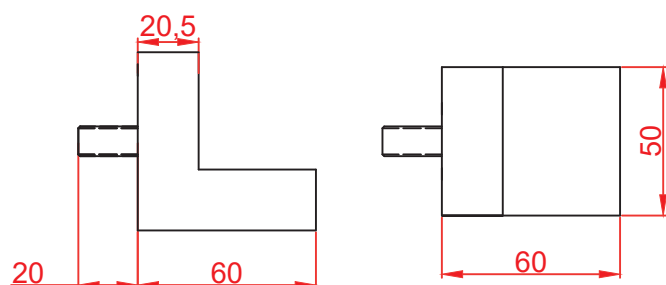
Number of Parcels	Weight (kg)	Length (mm)	Width (mm)	Height (mm)
100	17	365	365	195

Cabin Fixing Wedge with L Bolt

Product code: 902



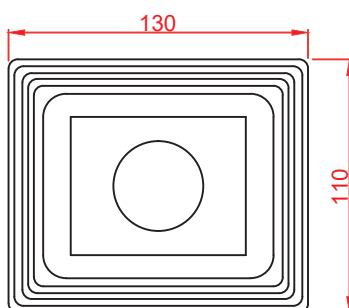
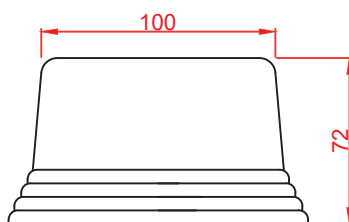
- M10* has a bolt length of 20 mm,
- It has cabin fixing feature.



Number of Parcels	Weight (kg)	Length (mm)	Width (mm)	Height (mm)
100	17	365	365	240

10*12 U Machine Wedge (Adjustable)

Product code: 903



It is a lift spare part that prevents the transmission of vibrations occurring in the cabin, counterweight and machine motors in the lift machine room to the building.

- Conforms to NPU 100 and NPU 120 internal form,
- Its carrying capacity is 6 at 400 kg for 1 piece,
- Provides easy adjustment,
- Adjusting bolt: M20x60,

Number of Parcels	Weight (kg)	Length (mm)	Width (mm)	Height (mm)
30	26	570	280	260

Rope Holder

Product code: 912 (4 slots)



It is the spare part that regulates the counterweight and cabin ropes and axes the ropes to the pulley dimensions.

- 4-slot and 6-slot rope holder for 10mm rope,
- 10-slot rope holder for 8mm rope
- We have 12 slot varieties for 6mm and 6.5mm ropes.

Rope Holder

Product code: 913 (6 slots)

Product code : 914 (10 slots)

Product code : 916 (12 slots)



- Used for 6 ropes,
- Rope \varnothing 10 mm.

Single Door buffer

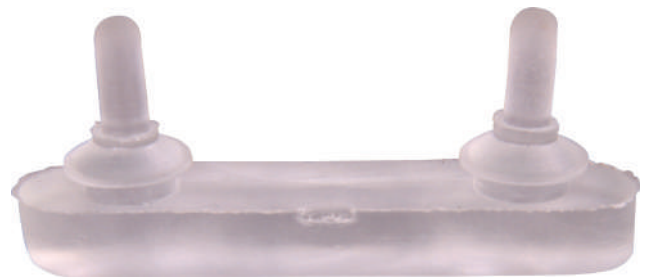
Product code: 906



- Provides sound insulation between door and case.
- It is a lift spare part made of PVC material.

Double Door Buffer

Product code: 907



It is a lift spare part made of PVC material that prevents the door from hitting the case and making noise in the lifts with swinging doors.

Flat Flexible Cable Holder

Product code: 908



It is the assembly apparatus used in the output of the cables that provide communication between the lift control panel and the cabin with the reinforced concrete carcass.

Number of Parcels	Weight (kg)	Length (mm)	Width (mm)	Height (mm)
50	17	620	315	336

Speed Governor Cutter Element

Product code: 909



This part enables the lift to operate by keeping the travel distance within a certain range. It is the spare part that prevents accidents that may occur by cutting the electricity of the lift in case this distance is exceeded (governor stand)

Number of Parcels	Weight (kg)	Length (mm)	Width (mm)	Height (mm)
200	12	365	360	240

Overload Spring

Product code: 502



It is a spare part that is mounted between the lift carrier suspension and the ropes and prevents the movement of the lift by detecting the overload to be loaded into the cabin with the help of a switch that provides electrical control.

Number of Parcels	Weight (kg)	Length (mm)	Width (mm)	Height (mm)
100	24	365	365	195

Oil Collection Container

Product code: 911



It prevents the excess oil formed by lubricating the rails, which guides the lift cabin and counterweight, from flowing to the bottom of the lift shaft by draining from the rails.

It is used in 5mm, 9mm, 10mm, 14mm, 16mm rail sizes.

Number of Parcels	Weight (kg)	Length (mm)	Width (mm)	Height (mm)
50	6	620	315	336

Retiring Cam and Dictator

Lift Spare Parts



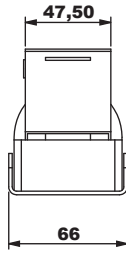
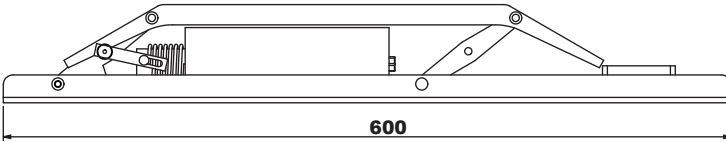
Retiring Cam

Product code: 401



Retiring Cam, which is used for safety in both freight lifts and passenger lifts, is coated with electrostatic varnish and baked and offered to our customers. Thanks to the special oil, the retiring cam works quietly and comfortably.

- Galvanized sheet metal body,
- Enamel coated copper wire is used in coil winding.
- Piston tub: 4.8 kg
- On/Off Stroke : 30 mm



A.C.	D.C.
220 V	48 V
	68 V
	110 V
	190 V

Door Shock Absorber (Dictator)

Product code: 400

Door Shock Absorbers, which allow the lift doors to slam and close completely, are offered to our customers with high quality material selection and with a 2-year warranty.

- It can operate easily at 20°C and +50°C.



Depolift

Everything About Lifts



DEPO **LIFT**

A Metroplast Asansör Brand

Everything About Lifts

HITACHI

NORM
CIVATA

IZELTAS


Karbosan

ATLAS PRO III

KL PRO III
Gücün Ustası, Ustanın Gücü!

www.depolift.com



Connection Elements

Types of norm bolt screws



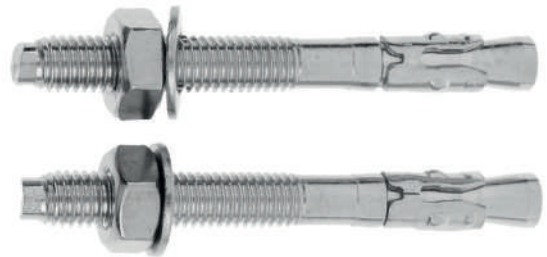
Lug Group

T1-T2-T3-T4 Cast Rail Lugs



Rope Terminal

12mm, 10mm, 8mm, 6mm



Steel Insertion Piece

M12x110 Steel Insertion Piece Clip-on
M16x145 Steel Insertion Piece Clip-on

Notes



METROPLAST

total safety in lifts

Metroplast Lift

IDOSB Deri Organize Yan Sanayi Bölgesi

YC-10 Parsel No:3

PK: 34953 Tuzla / Istanbul

Phone: + 90 216 671 11 01 – 02 – 03

Fax: + 90 216 671 11 00

info@metroplastasansor.com.tr

www.metroplastasansor.com.tr

